

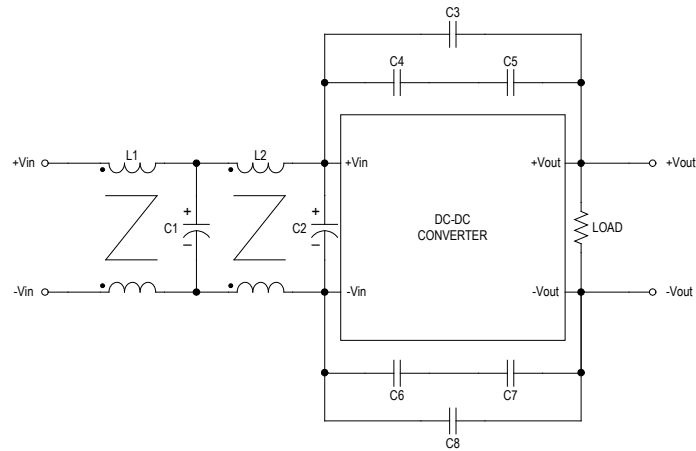


MINMAX[®]

MTQZ75 Series - EMC Notes

MTQZ75 Series - EMC Notes

External Filter meets Conducted and Radiated EMI EN 55011 & EN 55032, class A



Model	L1	C1	L2	C2	C3, C8	C4, C5, C6, C7
MTQZ75 Series	7448012501	470 μ F/200V KXJ	7448227005	68 μ F/250V KXJ	4700pF/400VAC Y1 Cap.	2200pF/400VAC Y1 Cap.

Recommended PCB Layout with Input Filter

