

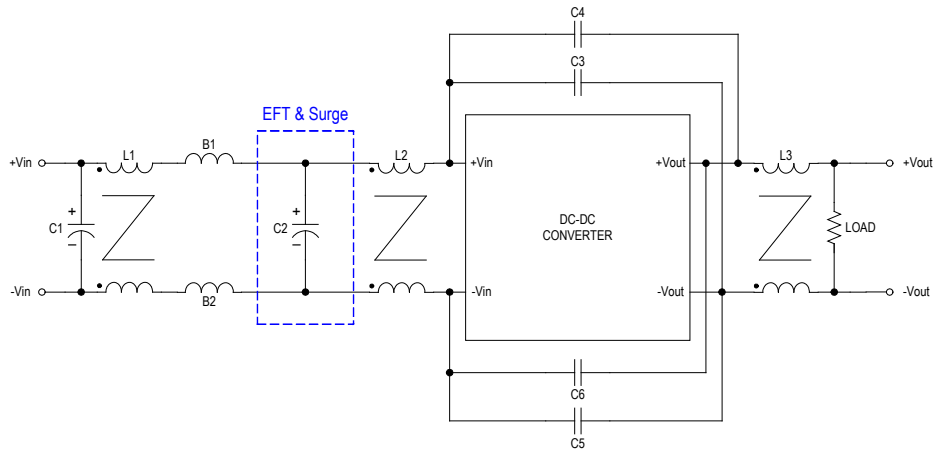


**MINMAX<sup>®</sup>**

MRZI75 Series - EMC Notes

# MRZI75 Series - EMC Notes

## External Filter meets Total solution (for EFT & Surge & EMI) EN 55032, class A



Model	C1	L1	B1, B2	C2	L2	C3, C5, C6	C4	L3
MRZI75 Series	150 $\mu$ F/200V CHEMI-CON KXJ Series	7mH/7A 7448040707	2 $\mu$ H/5A 7847111020	390 $\mu$ F/200V CHEMI-CON KXJ Series	700 $\Omega$ (100MHz)/8A ACM1211-701-2PL-TL01	1000pF/Y1 Cap.	1500pF/Y1 Cap.	1mH/20A 7448042001

## Recommended PCB Layout with Input Filter

