

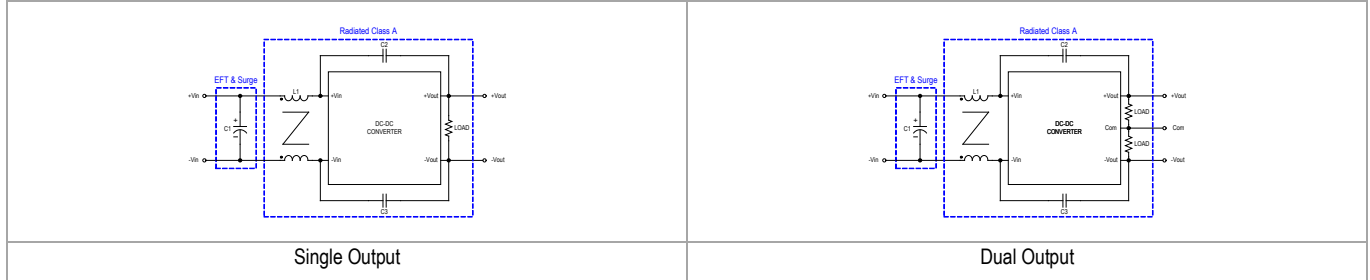


**MINMAX<sup>®</sup>**

MKZI20 Series - EMC Notes

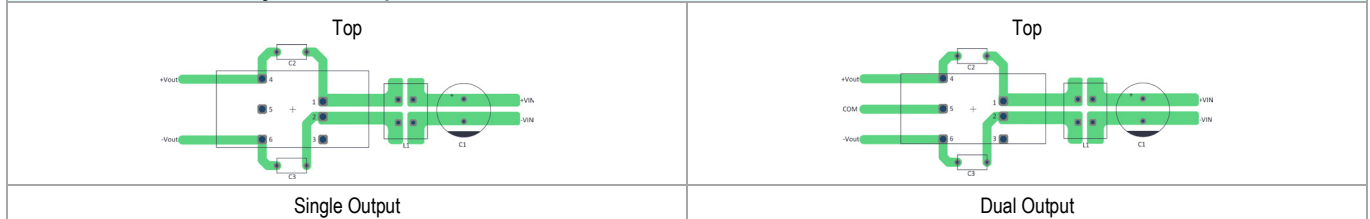
# MKZI20 Series - EMC Notes

## External Filter meets Radiated EMI EN 55032/11 & EN 55024, Class A



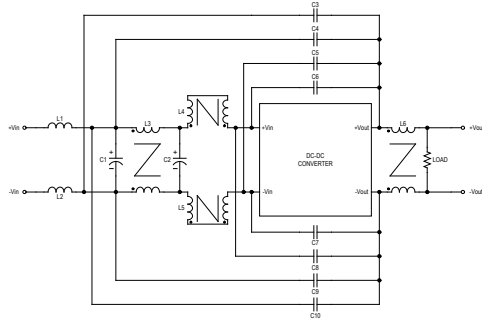
Model	EFT & Surge	Radiated Class A	
	C1	L1	C2, C3
MKZI20-24XXX	390µF/63V CHEMI-CON KY Series	0.175mH /10A/4mΩ 74482210002	2200pF/250Vac/Y5U Y1 Cap. YU0AH222M090
MKZI20-48XXX	330µF/100V CHEMI-CON KY Series	0.175mH /10A/4mΩ 74482210002	2200pF/250Vac/Y5U Y1 Cap. YU0AH222M090
MKZI20-110XXX	390µF/200V CHEMI-CON KXJ Series	0.175mH /10A/4mΩ 74482210002	2200pF/250Vac/Y5U Y1 Cap. YU0AH222M090

## Recommended PCB Layout with Input Filter

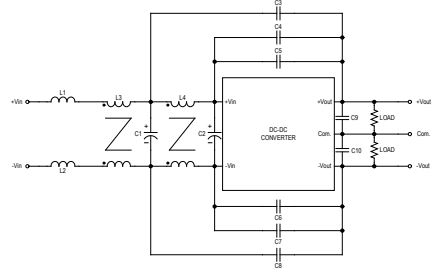


# MKZI20 Series - EMC Notes

## External Filter meets EMI EN 55032/11 & EN 55024, Class B



Single Output



Dual Output

Model	L1, L2	C1	L3	C2, C3, C5, C8, C10, L4, L5, L6	C4, C9	C6, C7
MKZI20-24SXX	580Ω/5A/12mΩ 7427512	CHEMI-CON KY Series 390μF/200V	0.175mH /10A/4mΩ 74482210002	---	1500pF/250Vac/Y5U Y1 Cap. YU0AH152M120	2200pF/250Vac/Y5U Y1 Cap. YU0AH222M090

Model	L1, L2	L3, C2, C4, C7, C9, C10	C1	L4	C3, C8	C5, C6
MKZI20-24DXX	580Ω/5A/12mΩ 7427512	---	CHEMI-CON KY Series 390μF/200V	0.175mH /10A/4mΩ 74482210002	1500pF/250Vac/Y5U Y1 Cap. YU0AH152M120	2200pF/250Vac/Y5U Y1 Cap. YU0AH222M090

Model	L1, L2	C1	L3, L6	C2, C3, C5, C8, C10, L4, L5	C4, C9	C6, C7
MKZI20-48SXX	580Ω/5A/12mΩ 7427512	390μF/200V CHEMI-CON KY Series	0.175mH /10A/4mΩ 74482210002	---	1500pF/250Vac/Y5U Y1 Cap. YU0AH152M120	2200pF/250Vac/Y5U Y1 Cap. YU0AH222M090

Model	L1, L2	L3, C2	C1	L4	C3, C8	C4, C7	C9, C10	C5, C6
MKZI20-48DXX	580Ω/5A/ 12mΩ 7427512	---	390μF/200V CHEMI-CON KY Series	32μH/8.5A/ 5.5mΩ 744842932	1000pF/ 250Vac/Y5U Y1 Cap. YP0AH102K10 0	100pF/250Vac/ Y5U Y1 Cap. YP0AH101K06 0	100pF 1206/X7R	2200pF/ 250Vac/Y5U Y1 Cap. YU0AH222M0 90

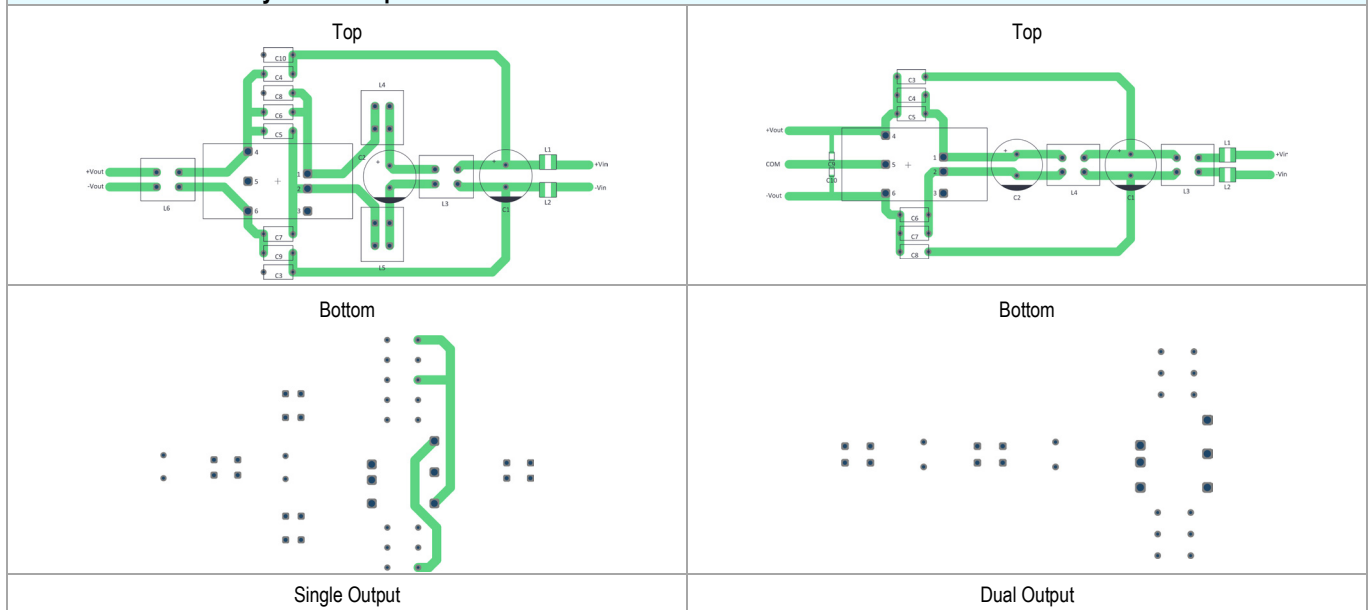
# MKZI20 Series - EMC Notes

Model	L1, L2	C1	L3	C2, C3, C10, L4, L5, L6	C4, C9	C5, C8	C6, C7
MKZI20-110S05 MKZI20-110S12 MKZI20-110S24	580Ω/5A/ 12mΩ 7427512	CHEMI-CON KY Series 390μF/200V	110μH/3A/ 31mΩ 7448422311	---	1500pF/ 250Vac/Y5U Y1 Cap. YU0AH152M120	---	4700pF/ 250Vac/Y5U Y1 Cap. YU0AH472M130

Model	L1, L2	C1, C2	L3	L4, L5	C3, C10	C4, C9	C5, C8	C6, C7	L6
MKZI20-110S15	580Ω/5A/ 12mΩ 7427512	CHEMI-CON KY Series 390μF/200V	110μH/3A/ 31mΩ 7448422311	16μH/10A/ 3mΩ 7448421016	1000pF/ 250Vac/Y5U Y1 Cap. YPOAH102K 100	4700pF/ 250Vac/Y5U Y1 Cap. YU0AH472M 130	220pF/ 250Vac/Y5U Y1 Cap. YPOAH221K 060	2200pF/ 250Vac/Y5U Y1 Cap. YU0AH222M 090	---

Model	L1, L2	C1	L3	C2	L4	C3, C8	C4, C7, C9, C10	C5, C6
MKZI20-110DXX	580Ω/5A/ 12mΩ 7427512	CHEMI-CON KY Series 390μF/200V	1mH/2A/ 45mΩ 744821201	CHEMI-CON KY Series 47μF/400V	0.175mH/10A/ 4mΩ 74482210002	1500pF/ 250Vac/Y5U Y1 Cap. YU0AH152M1 20	---	3300pF/ 250Vac/Y5U Y1 Cap. YU0AH332M1 20

## Recommended PCB Layout with Input Filter



Approved by : \_\_\_\_\_

Checked by : \_\_\_\_\_

Designed by : \_\_\_\_\_