

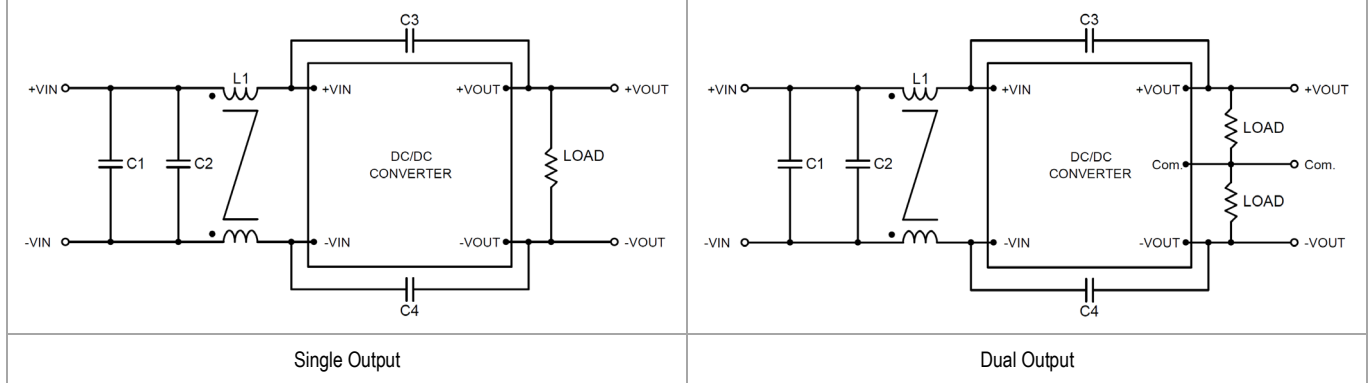


MINMAX[®]

MKWI40 Series - EMC Notes

MKWI40 Series - EMC Notes

External Filter meets Conducted & Radiated EMI EN 55032, class A; FCC part 15, level A



Model	C1	C2	L1	C3, C4
MKWI40 Series	3.3 μ F/100V 1210 X7S MLCC	4.7 μ F/100V 1210 X7S MLCC	1mH 7448031501	1000pF/2kV 1206 X7R MLCC

Approved by : _____ Checked by : _____ Designed by : _____