

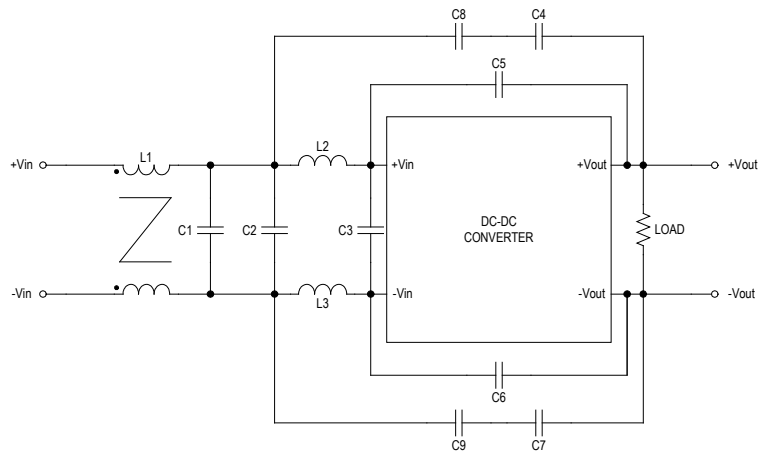


MINMAX[®]

MKW50 Series - EMC Notes

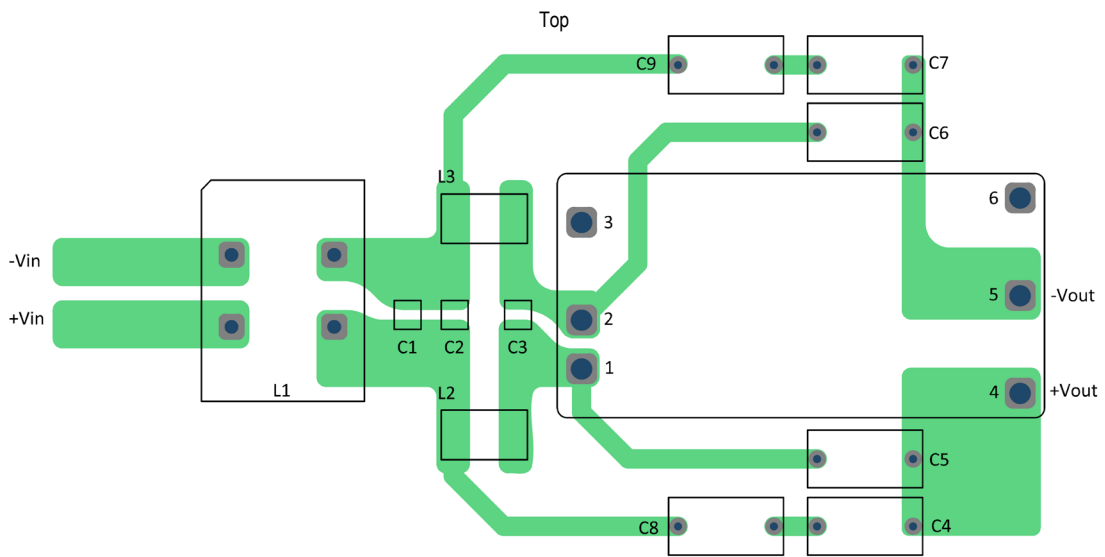
MKW50 Series - EMC Notes

External Filter meets Conducted & Radiated EMI EN 55032, class A



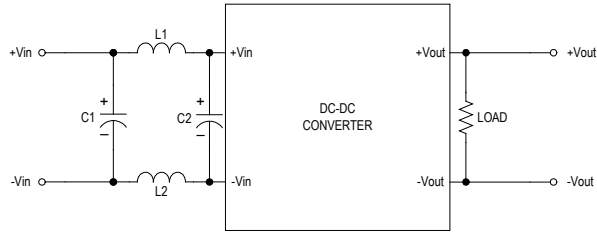
Model	L1	C1, C3	L2, L3	C2	C4, C5, C6, C7	C8, C9
MKW50 Series	1mH/15A/3.3mΩ 7448031501	4.7μF/100V 1210	100MHz/5A/580Ω 7427512	3.3μF/100V 1210	3300pF/400VAC Y1 Cap.	2200pF/400VAC Y1 Cap.

Recommended PCB Layout with Input Filter



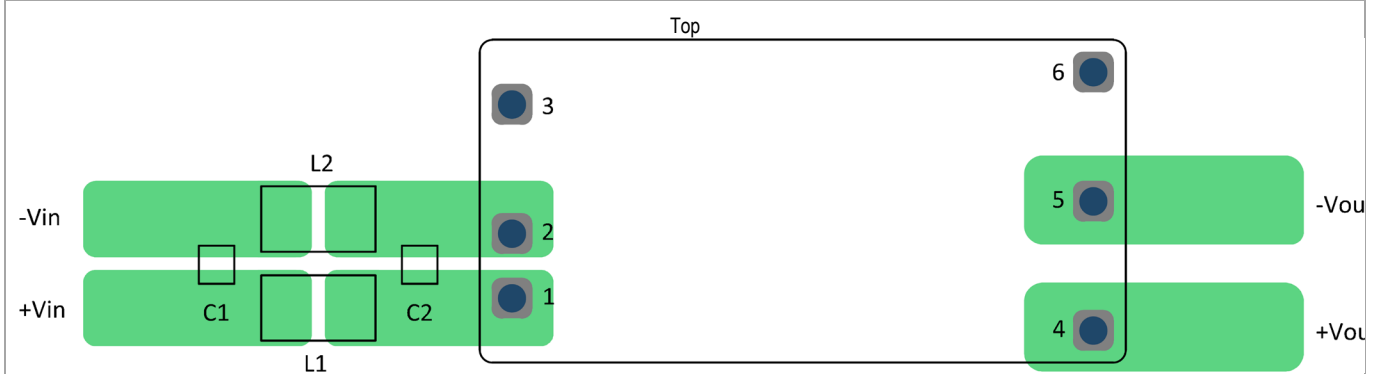
MKW50 Series - EMC Notes

External Filter meets EFT & Surge EMS EN 55024/35, criteria A



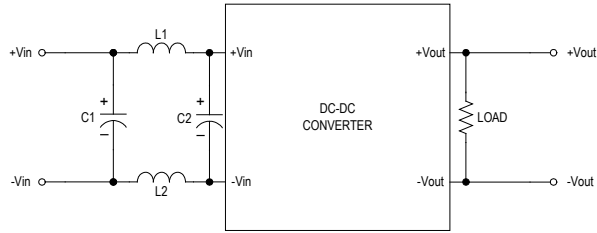
Model	L1, L2	C1	C2
MKW50-12SXXX	100MHz/6A/98Ω 7427932	1800μF/25V CHEMI-CON KY Series	1800μF/25V CHEMI-CON KY Series

Recommended PCB Layout with Input Filter



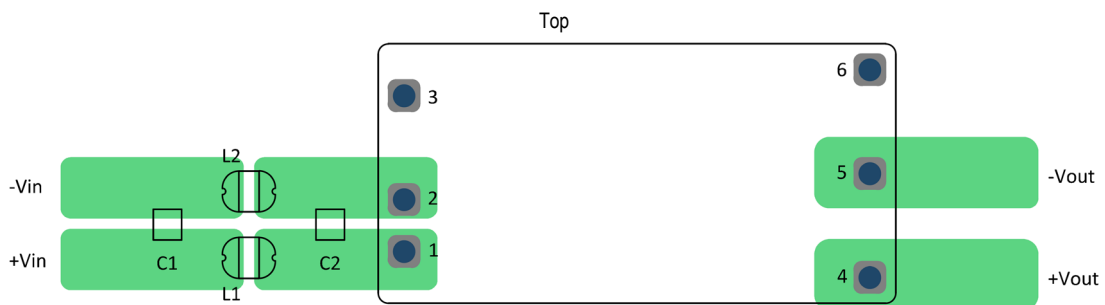
MKW50 Series - EMC Notes

External Filter meets EFT & Surge EMS EN 55024/35, criteria A



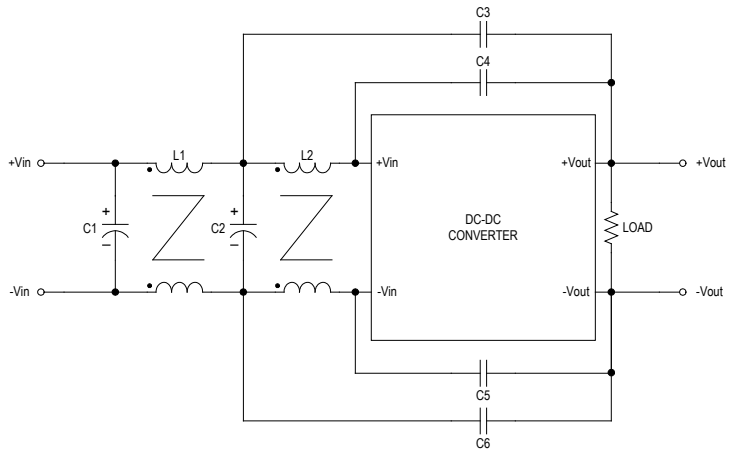
Model	L1, L2	C1	C2
MKW50-24SXXX	---	1200 μ F/50V CHEMI-CON KY Series	---
MKW50-48SXXX	4.7 μ H/2.46A 744773047	560 μ F/100V CHEMI-CON KY Series	560 μ F/100V CHEMI-CON KY Series

Recommended PCB Layout with Input Filter



MKW50 Series - EMC Notes

External Filter meets Conducted EMI EN 55032, class B



Model	C1	L1	C2	L2	C3, C6	C4	C5
MKW50-12XXX	470 μ F/35V CHEMI-CON KY Series	1mH/10A/7m Ω 744824101	470 μ F/35V CHEMI-CON KY Series	1mH/15A/28m Ω 7448031501	1000pF/400VAC Y1 Cap.	2200pF/400VAC Y1 Cap.	2200pF/400VAC Y1 Cap.
MKW50-24XXX MKW50-48XXX	---	2.2mH/6A/20m Ω 744824622	470 μ F/100V CHEMI-CON KY Series	9mH/5A/28m Ω 7448030509	4700pF/400VAC Y1 Cap.	---	2200pF/400VAC Y1 Cap.

Recommended PCB Layout with Input Filter

