

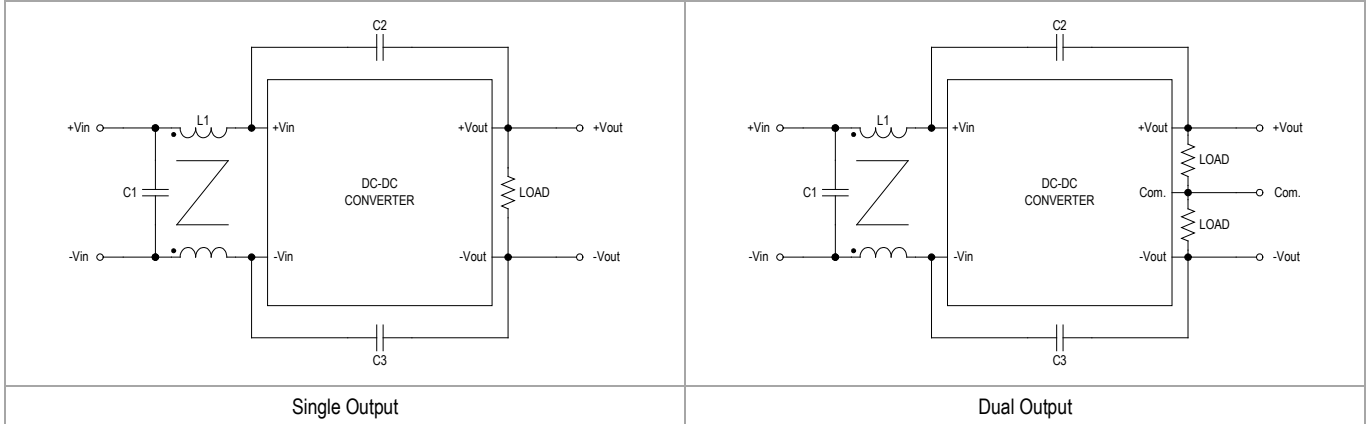


MINMAX[®]

MJWI25 Series - EMC Notes

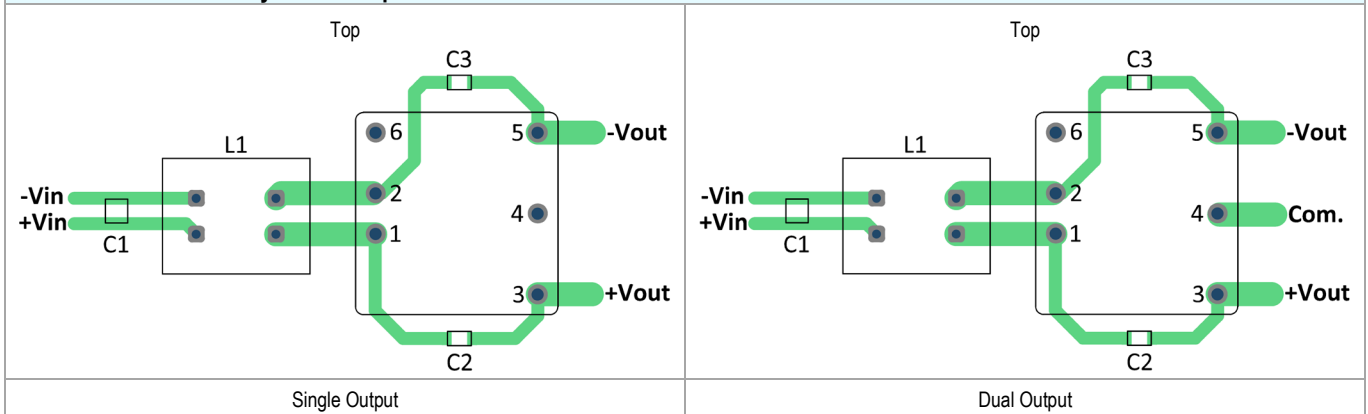
MJWI25 Series - EMC Notes

External Filter meets Conduction & Radiation EMI EN 55032, class A



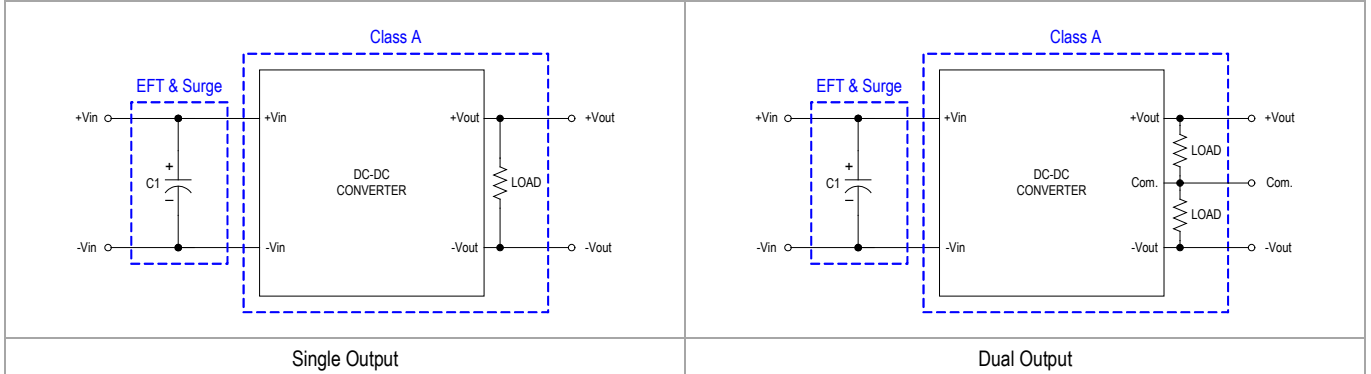
| Model | C1 | L1 | C2, C3 |
|---------------|------------------------------|--------------------------|------------------------|
| MJWI25 Series | 3.3 μ F/100V 1210 X7S | 0.4mH/4.5A 7448014501 | 1000pF/2kV 1206 X7R |

Recommended PCB Layout with Input Filter



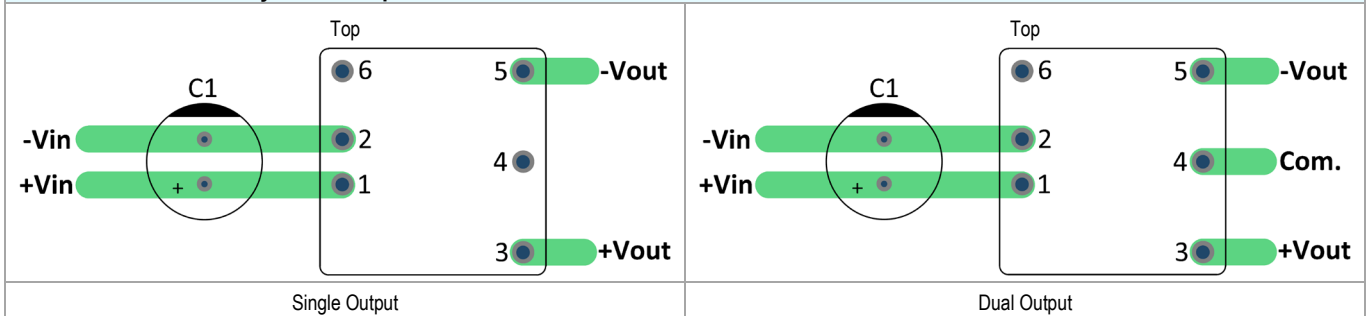
MJWI25 Series - EMC Notes

External Filter meets EFT & Surge



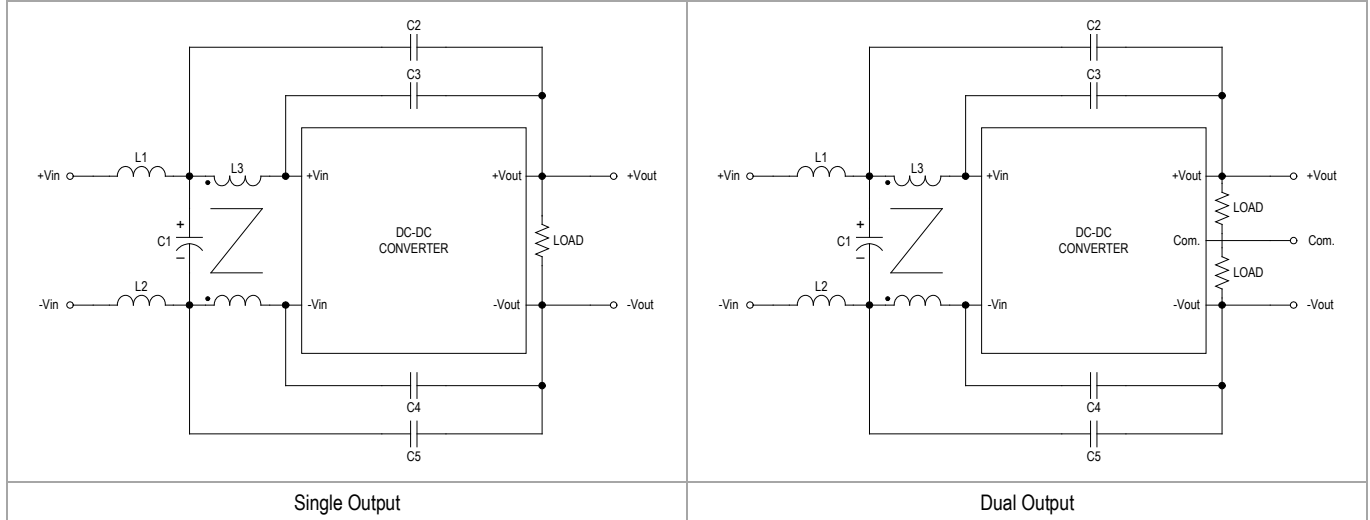
| | |
|---------------|-----------------------------------|
| Model | C1 |
| MJWI25 Series | 220µF/100V CHEMI-CON KY Series |

Recommended PCB Layout with Input Filter



MJWI25 Series - EMC Notes

External Filter meets Conduction & Radiation EMI EN 55032, class B



| Model | L1, L2 | C1 | L3 | C2, C3, C4, C5 |
|------------------------------|----------------------------|--|----------------------|----------------|
| MJWI25-24XXX MJWI25-48XXX | 2 μ H/7A 7847111020 | 330 μ F/100V CHEMI-CON KYA Series | 9mH/5A 7448030509 | 2200pF/Y1 Cap. |

Recommended PCB Layout with Input Filter

