

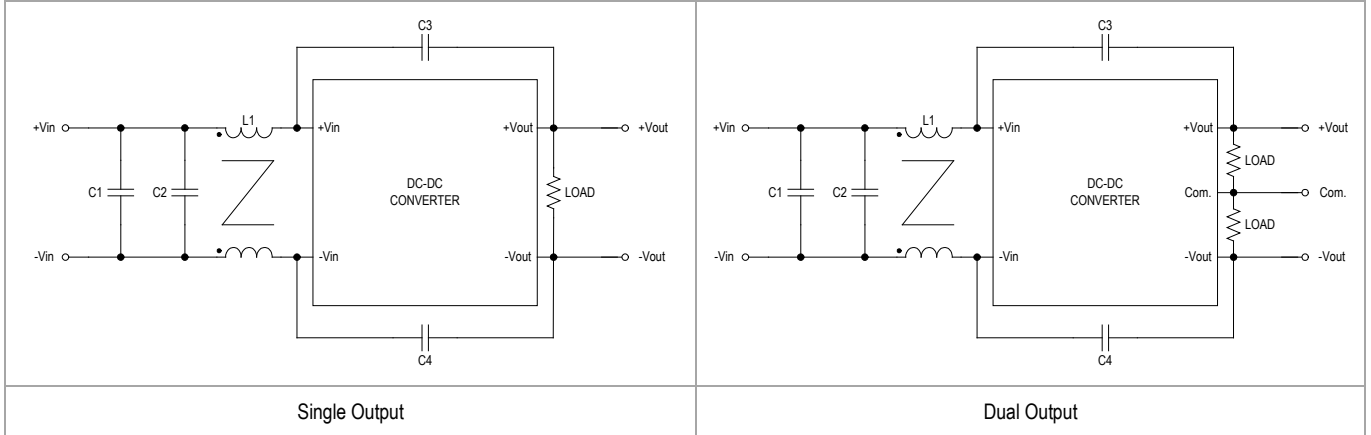


**MINMAX<sup>®</sup>**

MJWI15 Series - EMC Notes

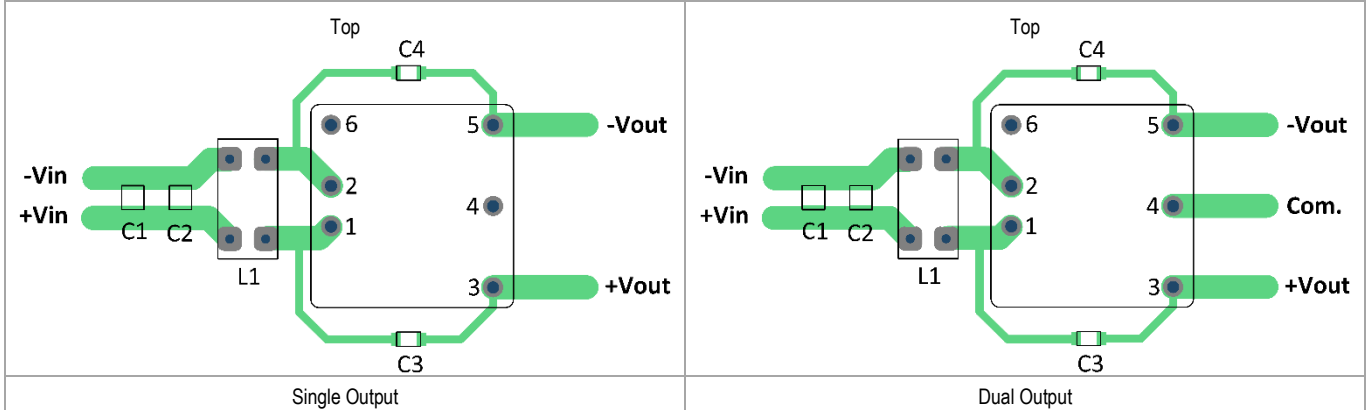
# MJWI15 Series - EMC Notes

## External Filter meets Radiated EMI EN 55032, class A



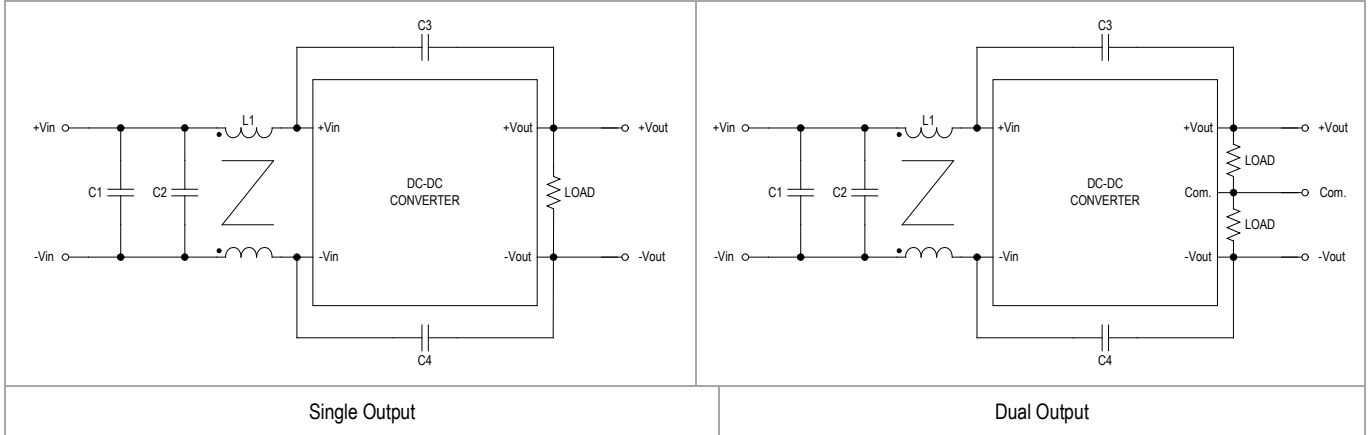
Class	Model	L1	C1, C2	C3, C4
Class A	MJWI15-24XXXX	0.4mH//0.4mH; 7448014501	4.7 $\mu$ F/50V 1210 X7R MLCC	330pF/2KV 1206 X7R MLCC
	MJWI15-48XXXX	0.4mH//0.4mH; 7448014501	3.3 $\mu$ F/100V 1210 X7S MLCC	330pF/2KV 1206 X7R MLCC

## Recommended PCB Layout with Input Filter



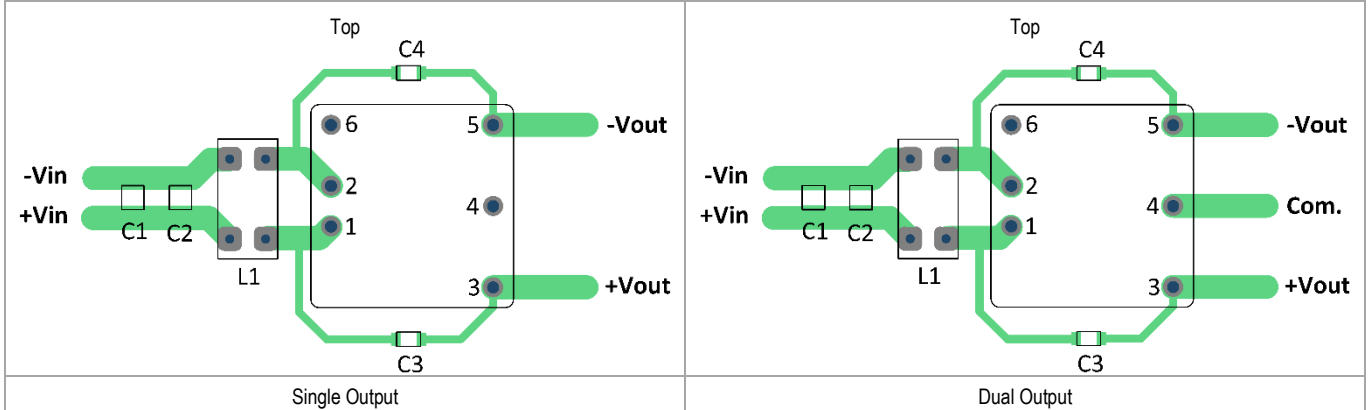
# MJWI15 Series - EMC Notes

## External Filter meets EMI EN 55032, class B



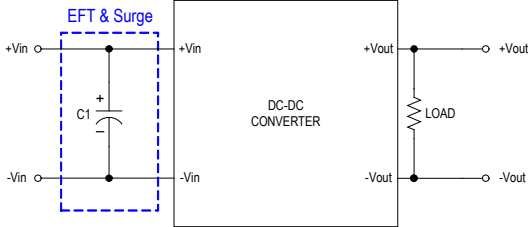
Class	Model	L1	C1, C2	C3, C4
Class B	MJWI15-24XXXX	0.5mH//0.5mH; 7448013501	4.7 $\mu$ F/50V 1210 X7R MLCC	330pF/2KV 1206 X7R MLCC
	MJWI15-48XXXX	0.5mH//0.5mH; 7448013501	3.3 $\mu$ F/100V 1210 X7S MLCC	330pF/2KV 1206 X7R MLCC

## Recommended PCB Layout with Input Filter

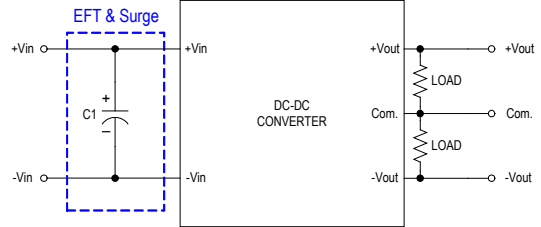


# MJWI15 Series - EMC Notes

## External Filter meets EFT & Surge



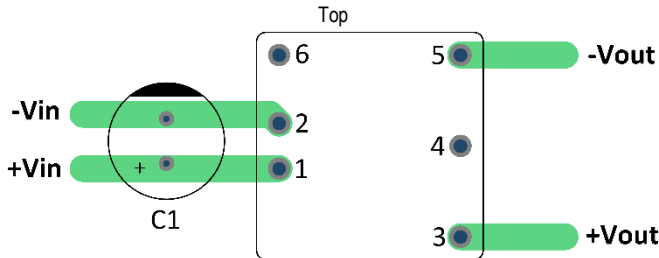
Single Output



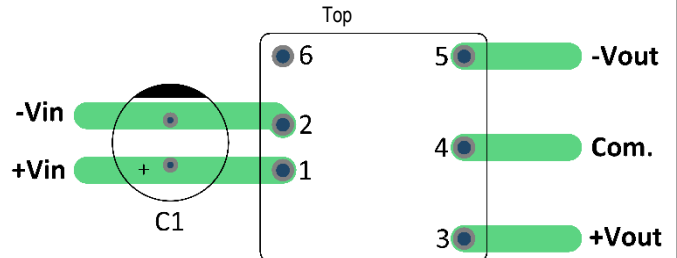
Dual Output

Model	EFT & Surge
	C1
MJWI15-XXS033 MJWI15-XXS05	470 $\mu$ F/100V CHEMI-CON KY Series
MJWI15-XXS12 MJWI15-XXS15 MJWI15-XXS24 MJWI15-XXD12 MJWI15-XXD15	220 $\mu$ F/100V CHEMI-CON KY Series

## Recommended PCB Layout with Input Filter



Single Output



Dual Output