

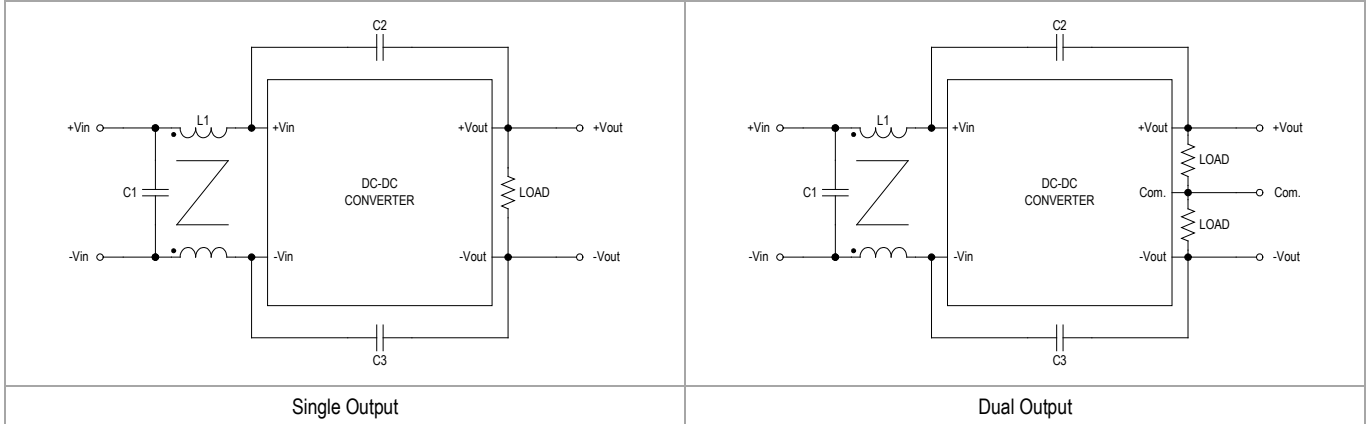


MINMAX[®]

MJW25 Series - EMC Notes

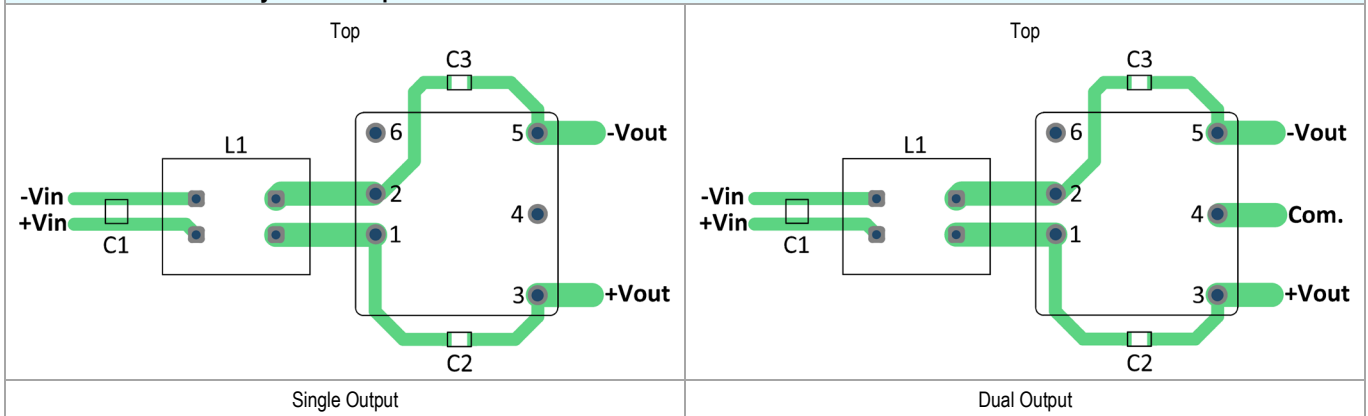
MJW25 Series - EMC Notes

External Filter meets Conduction & Radiation EMI EN 55032, class A



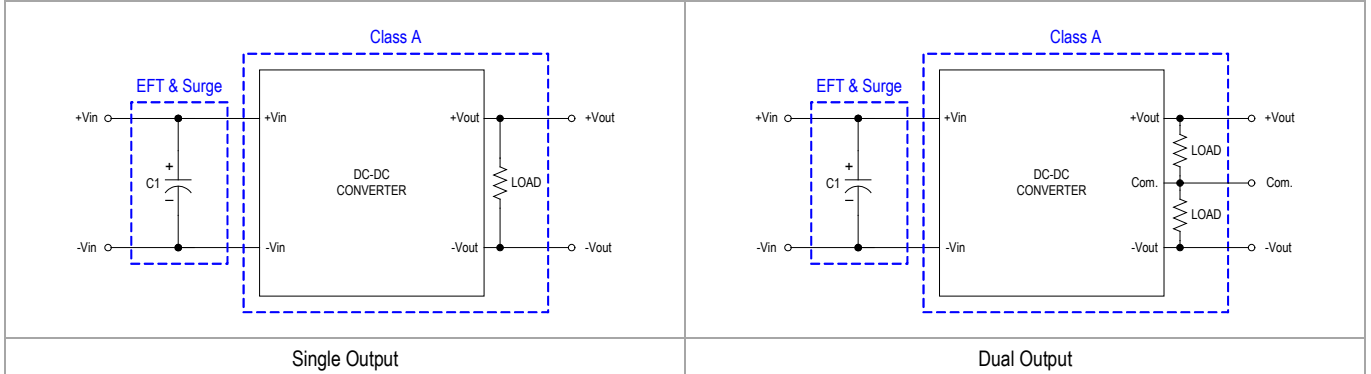
Model	C1	L1	C2, C3
MJW25 Series	3.3 μ F/100V 1210 X7S	0.4mH/4.5A 7448014501	1000pF/2kV 1206 X7R

Recommended PCB Layout with Input Filter



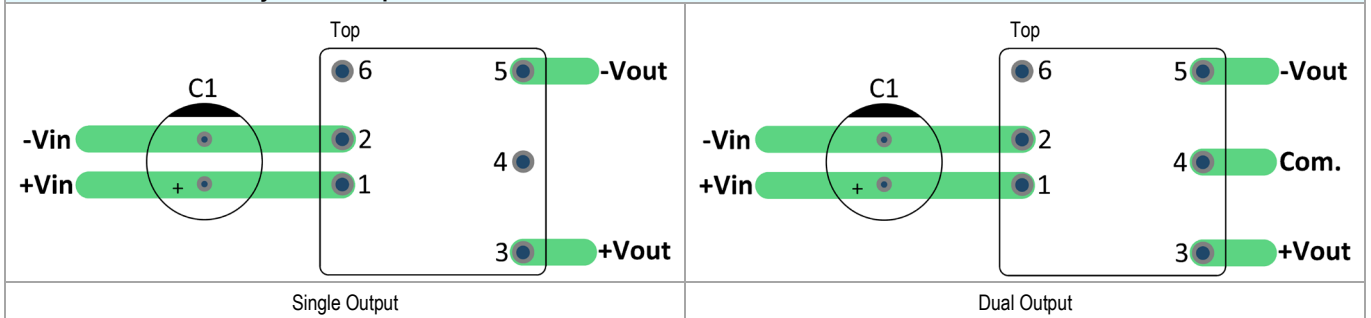
MJW25 Series - EMC Notes

External Filter meets EFT & Surge



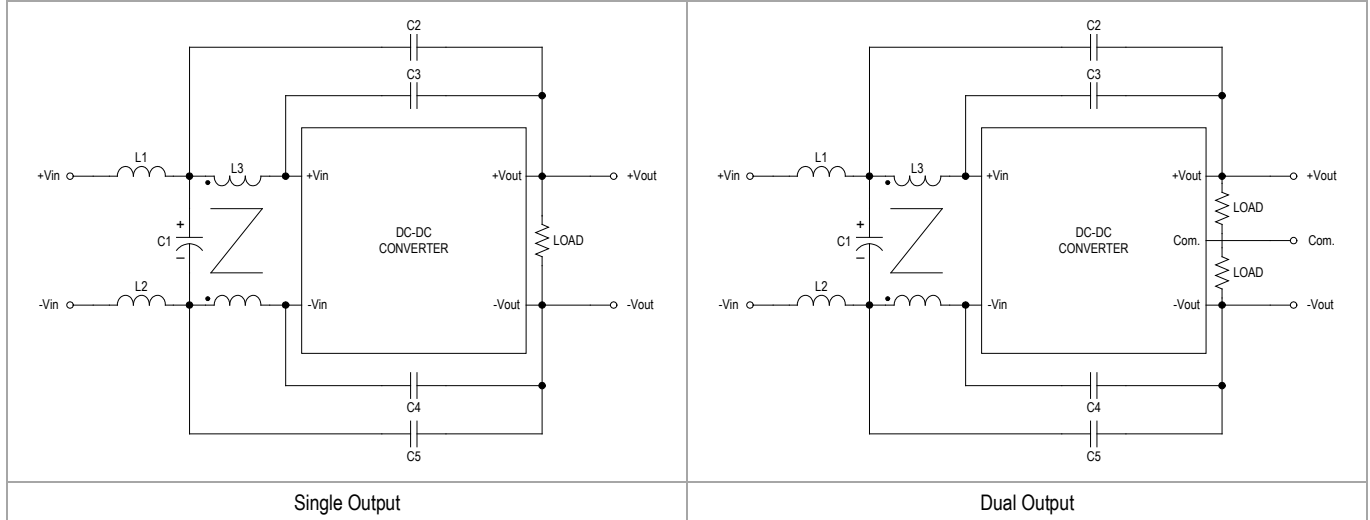
Model	C1
MJW25 Series	220 μ F/100V CHEMI-CON KY Series

Recommended PCB Layout with Input Filter



MJW25 Series - EMC Notes

External Filter meets Conduction & Radiation EMI EN 55032, class B



Model	L1, L2	C1	L3	C2, C3, C4, C5
MJW25 Series	2 μ H/7A 7847111020	330 μ F/100V CHEMI-CON KYA Series	9mH/5A 7448030509	2200pF/Y1 Cap.

Recommended PCB Layout with Input Filter

