

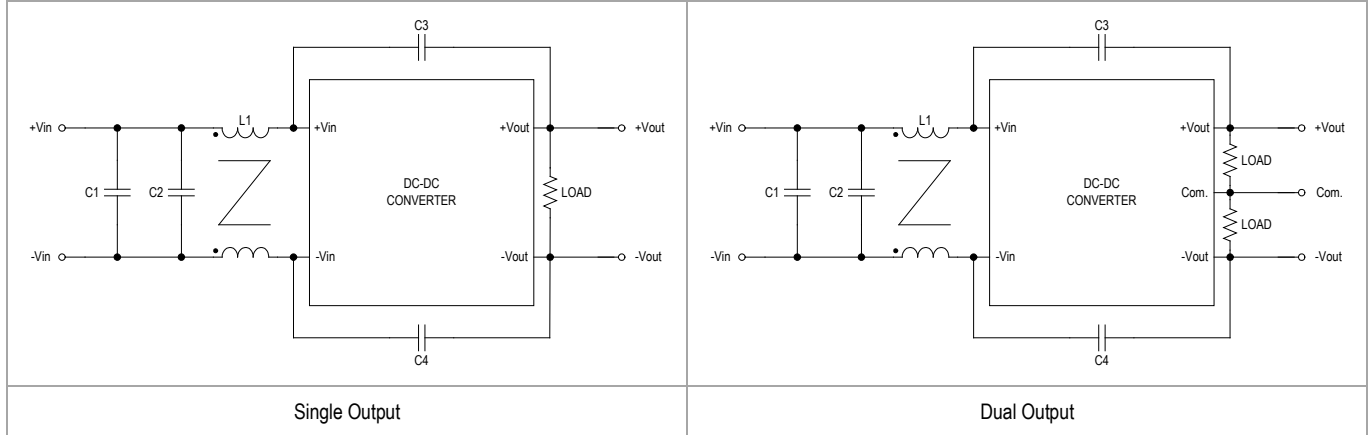


MINMAX[®]

MJW15 Series - EMC Notes

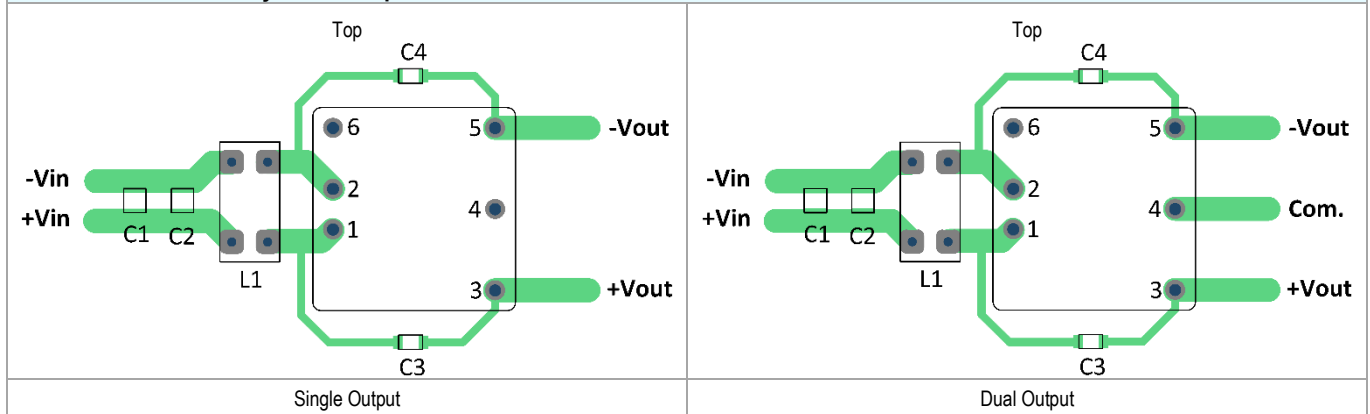
MJW15 Series - EMC Notes

External Filter meets Radiated EMI EN 55032, class A



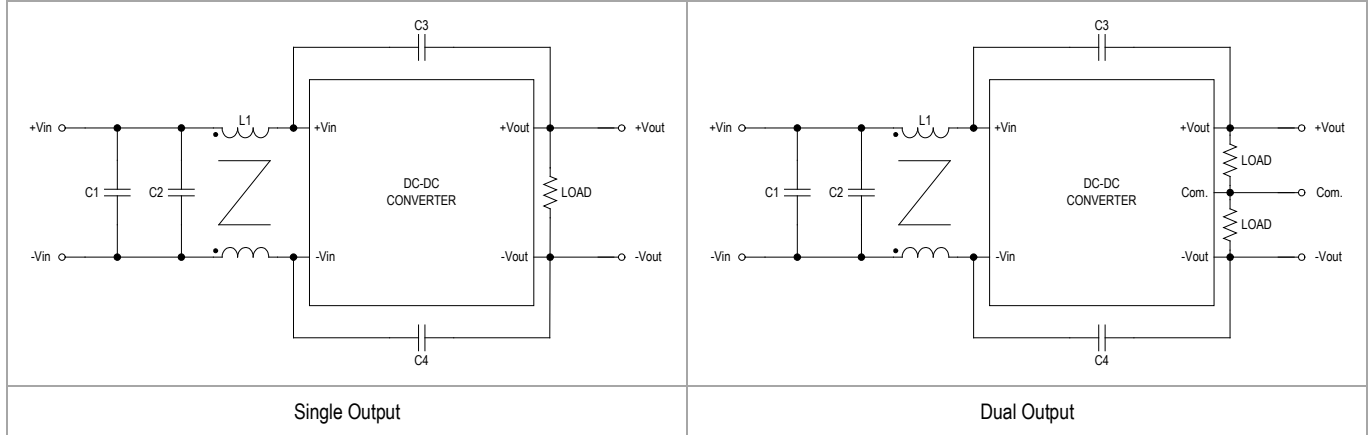
Class	Model	L1	C1, C2	C3, C4
Class A	MJW15-12XXXX	0.4mH//0.4mH; 7448014501	22 μ F/25V 1210 X5R MLCC	330pF/2KV 1206 X7R MLCC
	MJW15-24XXXX	0.4mH//0.4mH; 7448014501	4.7 μ F/50V 1210 X7R MLCC	330pF/2KV 1206 X7R MLCC
	MJW15-48XXXX	0.4mH//0.4mH; 7448014501	3.3 μ F/100V 1210 X7S MLCC	330pF/2KV 1206 X7R MLCC

Recommended PCB Layout with Input Filter



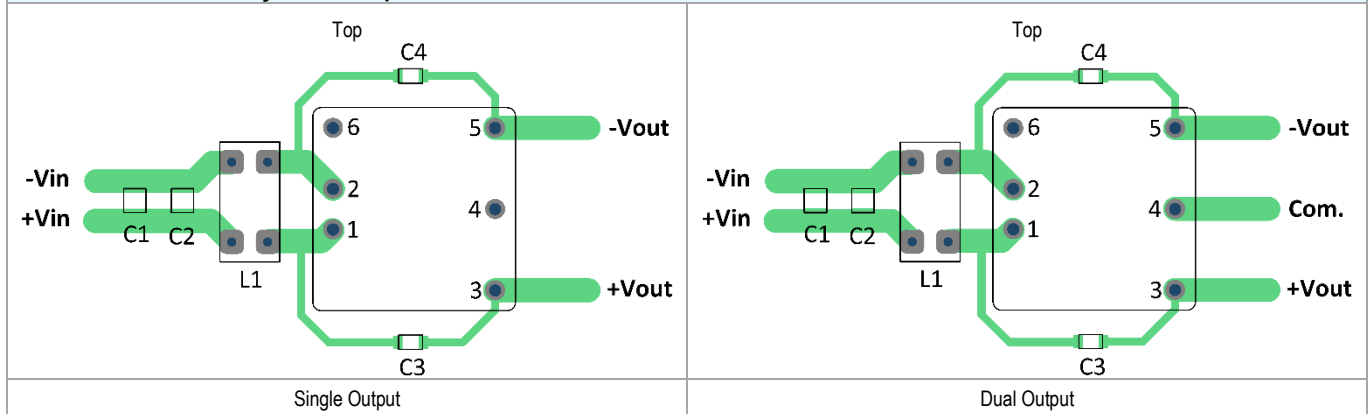
MJW15 Series - EMC Notes

External Filter meets Radiated EMI EN 55032, class B



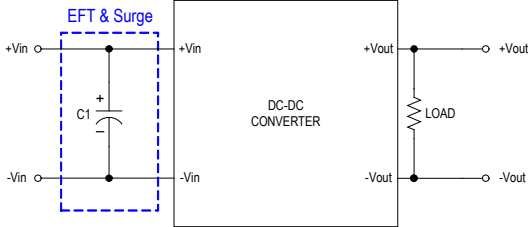
Class	Model	L1	C1, C2	C3, C4
Class B	MJW15-12XXXX	0.5mH//0.5mH; 7448013501	22 μ F/25V 1210 X5R MLCC	330pF/2KV 1206 X7R MLCC
	MJW15-24XXXX	0.5mH//0.5mH; 7448013501	4.7 μ F/50V 1210 X7R MLCC	330pF/2KV 1206 X7R MLCC
	MJW15-48XXXX	0.5mH//0.5mH; 7448013501	3.3 μ F/100V 1210 X7S MLCC	330pF/2KV 1206 X7R MLCC

Recommended PCB Layout with Input Filter

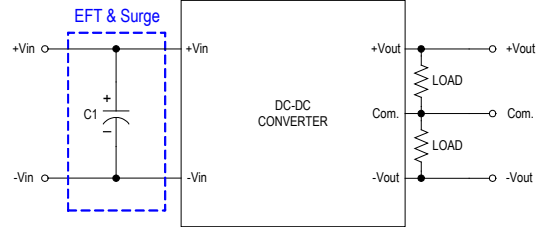


MJW15 Series - EMC Notes

External Filter meets EFT & Surge



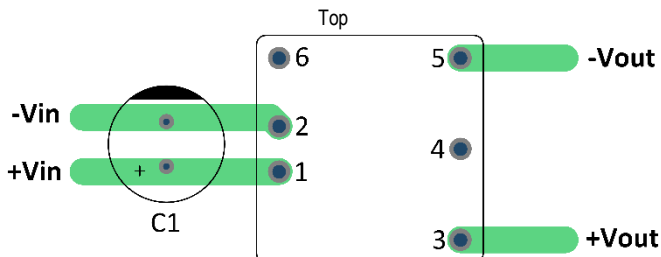
Single Output



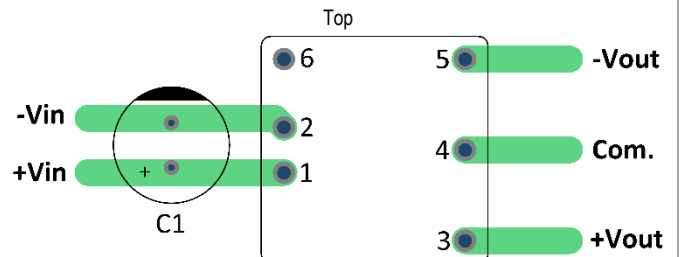
Dual Output

Model	EFT & Surge
	C1
MJW15-12XXX MJW15-XXS033 MJW15-XXS05	470 μ F/100V CHEMI-CON KY Series
MJW15-XXS12 MJW15-XXS15 MJW15-XXS24 MJW15-XXD12 MJW15-XXD15	220 μ F/100V CHEMI-CON KY Series

Recommended PCB Layout with Input Filter



Single Output



Dual Output