

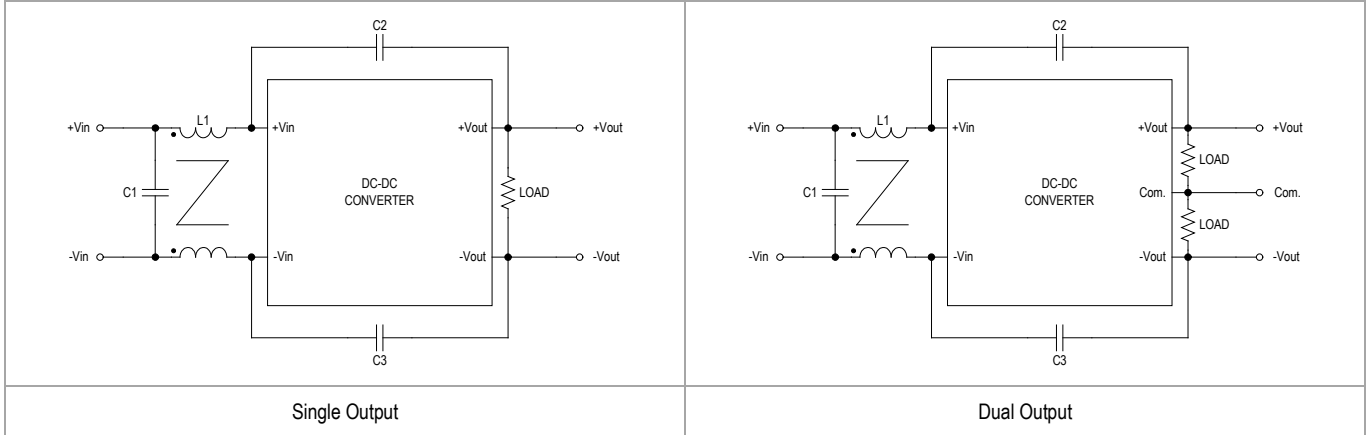


**MINMAX<sup>®</sup>**

MJW10 Series - EMC Notes

# MJW10 Series - EMC Notes

## External Filter meets Radiated EMI EN 55032, class A



Model	Class A		
	C1	L1	C2, C3
MJW10 Series	3.3 $\mu$ F/100V 1210 X7S	0.4mH//0.4mH 7448014501	1000pF/2kV 1206 X7R

## Recommended PCB Layout with Input Filter

