

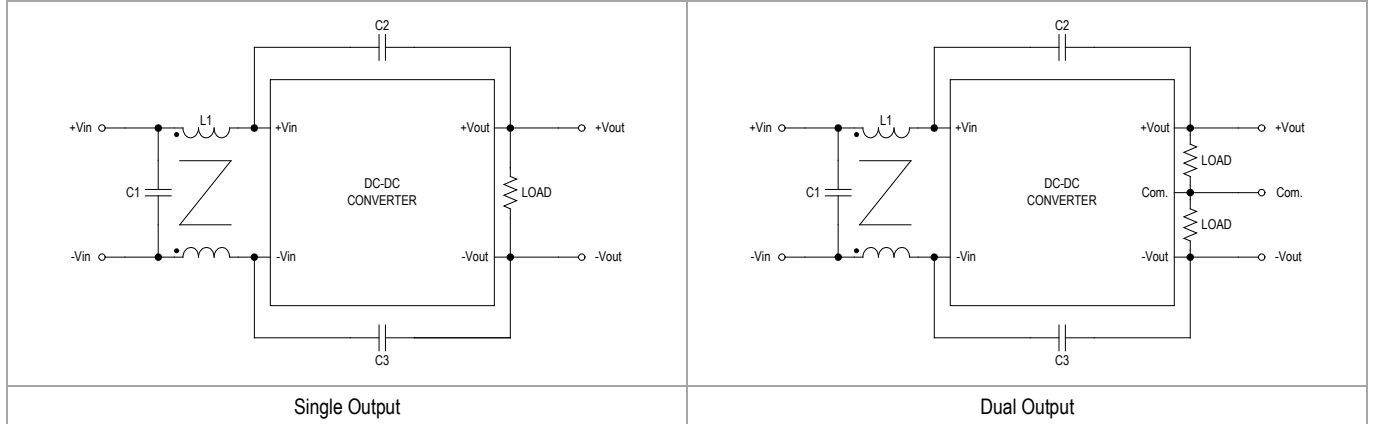


**MINMAX<sup>®</sup>**

MIWI06 Series - EMC Notes

# MIWI06 Series - EMC Notes

## External Filter meets Radiated EMI EN 55022, class A



Model	C1	L1	C2, C3
MIWI06-24XXX	10 $\mu$ F/50V 1206 X5R	0.175mH/10A 74482210002	1500pF/2kV 1206 X7R
MIWI06-48XXX	2.2 $\mu$ F/100V 1206 X7R	0.175mH/10A 74482210002	1500pF/2kV 1206 X7R

## Recommended PCB Layout with Input Filter

