

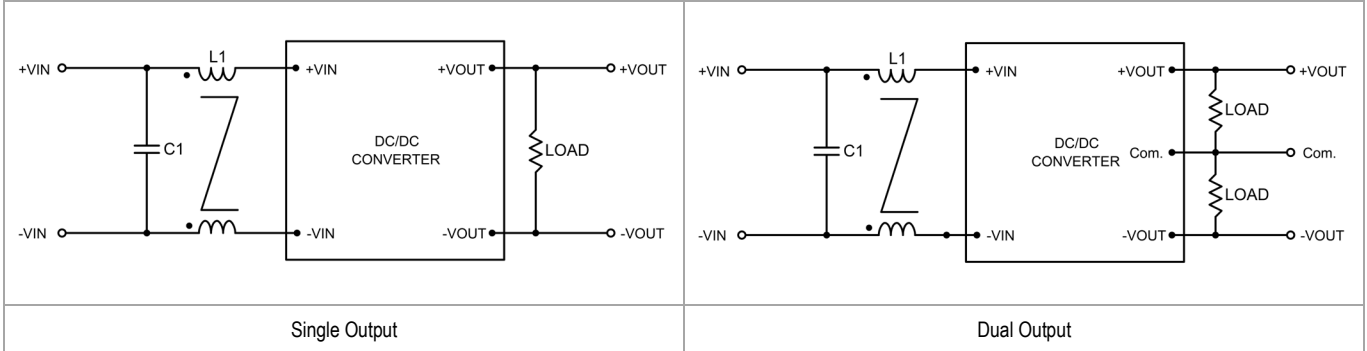


**MINMAX<sup>®</sup>**

MIW06M Series - EMC Notes

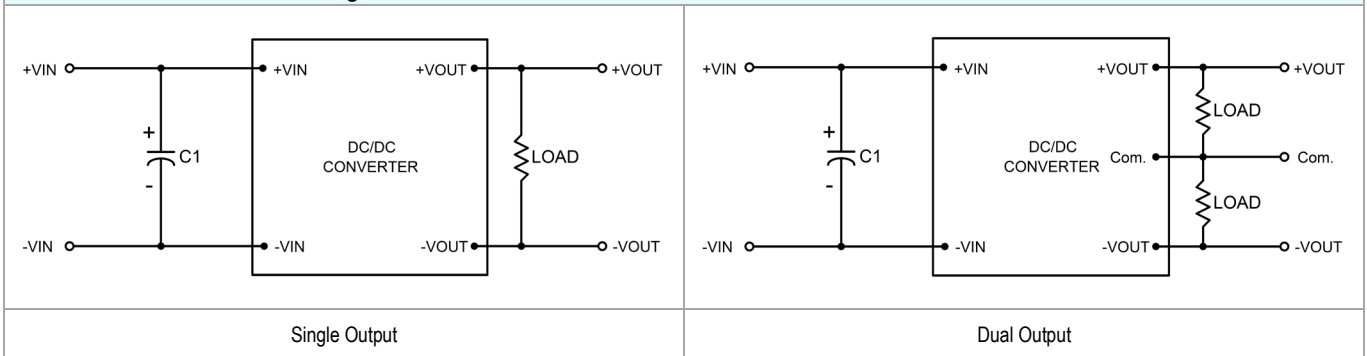
# MIW06M Series - EMC Notes

## External Filter meets Radiated EMI EN 55011, class A ; FCC part 15 ,level A



Model	Radiated Class A	
	C1	L1
MIW06-12XXXM	47 $\mu$ F/25V 1206 X5R	0.4mH/4.5A, 7448014501
MIW06-24XXXM	10 $\mu$ F/50V 1206 X5R	
MIW06-48XXXM	2.2 $\mu$ F/100V 1206 X7R	

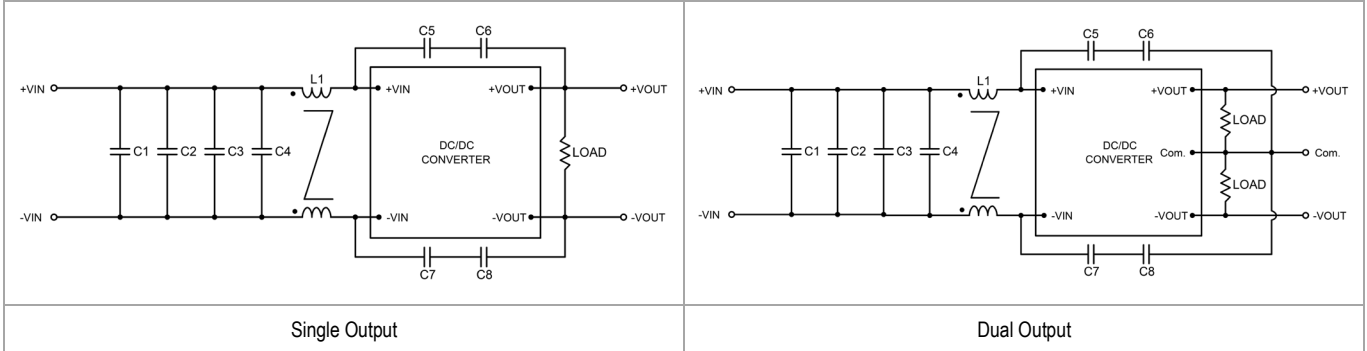
## External Filter meets EFT & Surge



Model	EFT & Surge
	C1
MIW06-12XXXM	560 $\mu$ F/50V CHEMI-CON KY Series
MIW06-24XXXM	470 $\mu$ F/50V CHEMI-CON KY Series
MIW06-48XXXM	330 $\mu$ F/100V CHEMI-CON KY Series

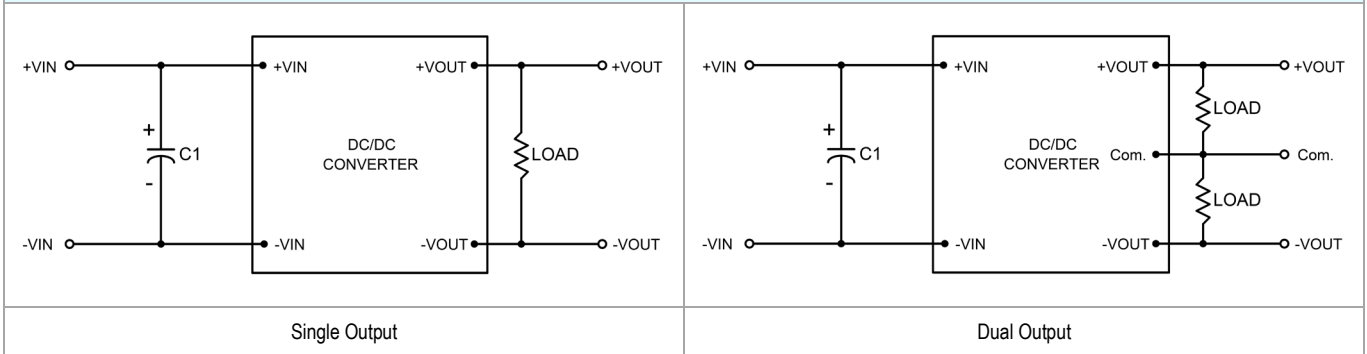
# MIW06M Series - EMC Notes

## External Filter meets Conducted EMI EN 55011, class B ; FCC part 15 ,level B



Model	Conducted Class B		
	C1, C2, C3, C4	L1	C5, C6, C7, C8
MIW06M Series	3.3 $\mu$ F/100V 1210 X7R	0.4mH/4.5A 7448014501	1000pF/ Y1 Cap.

## External Filter meets EFT & Surge



Model	EFT & Surge
	C1
MIW06-12XXXM	560 $\mu$ F/50V CHEMI-CON KY Series
MIW06-24XXXM	470 $\mu$ F/50V CHEMI-CON KY Series
MIW06-48XXXM	330 $\mu$ F/100V CHEMI-CON KY Series