

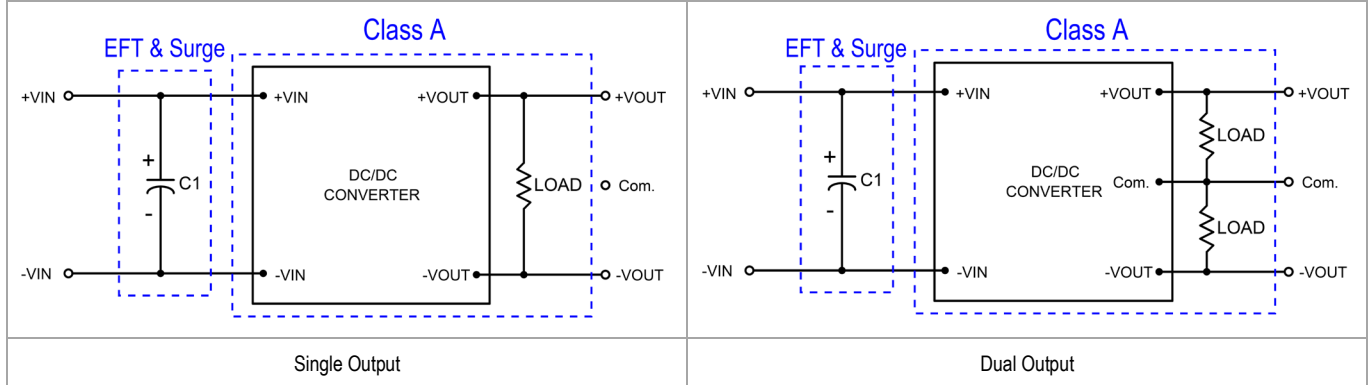


MINMAX[®]

MIE10-HI Series - EMC Notes

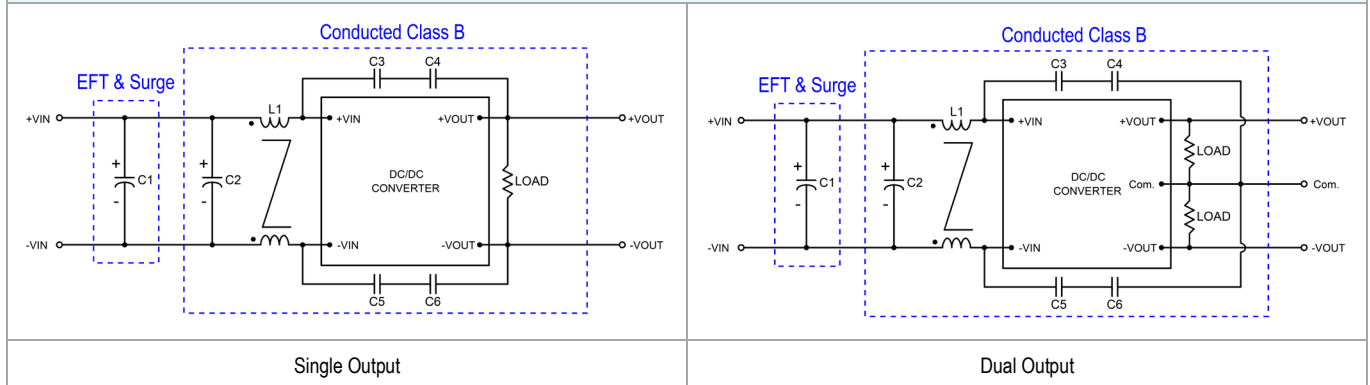
MIE10-HI Series - EMC Notes

External Filter meets EFT & Surge



Model	EFT & Surge
	C1
MIE10-HI Series	470µF/100V CHEMI-CON KY Series

External Filter meets EMI EN 55032 , class B; FCC part 15 ,level B



Model	EFT & Surge	Conducted Class B		
	C1	C2	L1	C3, C4, C5, C6
MIE10-12XXXHI	470µF/100V CHEMI-CON KY Series	22µF/50V 1210	0.4mH/4.5A 7448014501	1000pF/Y1 Cap.
MIE10-24XXXHI	470µF/100V CHEMI-CON KY Series	3.3µF/100V 1210	1mH/2A 744821201	1000pF/Y1 Cap.
MIE10-48XXXHI	470µF/100V CHEMI-CON KY Series	3.3µF/100V 1210	1mH/2A 744821201	1000pF/Y1 Cap.