

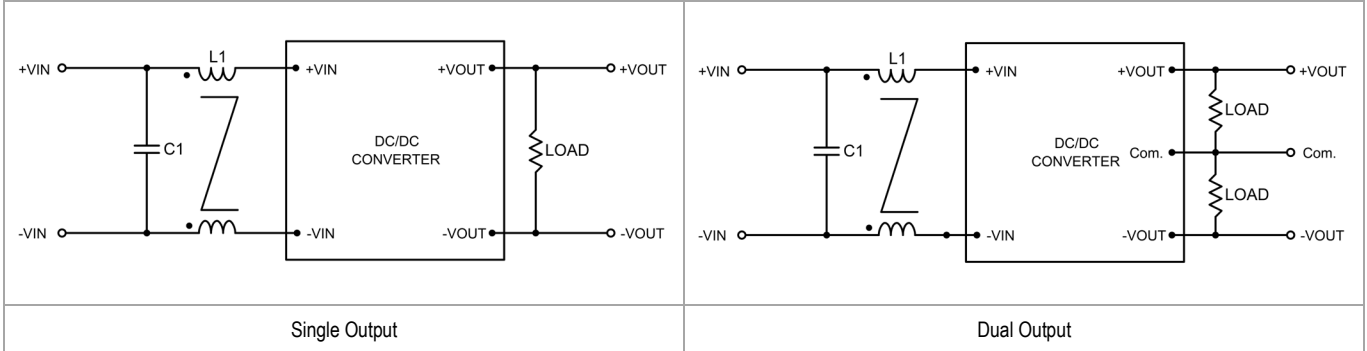


**MINMAX<sup>®</sup>**

MIE06-HI Series - EMC Notes

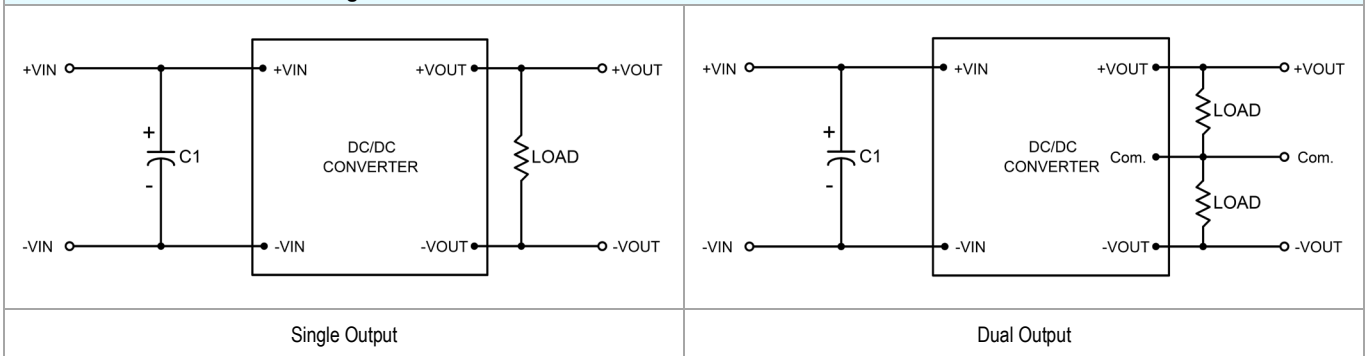
# MIE06-HI Series - EMC Notes

## External Filter meets Radiated EMI EN 55032, class A ; FCC part 15 ,level A



Model	Radiated Class A	
	C1	L1
MIE06-12XXXHI	47 $\mu$ F/25V 1206 X5R	0.4mH/4.5A, 7448014501
MIE06-24XXXHI	10 $\mu$ F/50V 1206 X5R	
MIE06-48XXXHI	2.2 $\mu$ F/100V 1206 X7R	

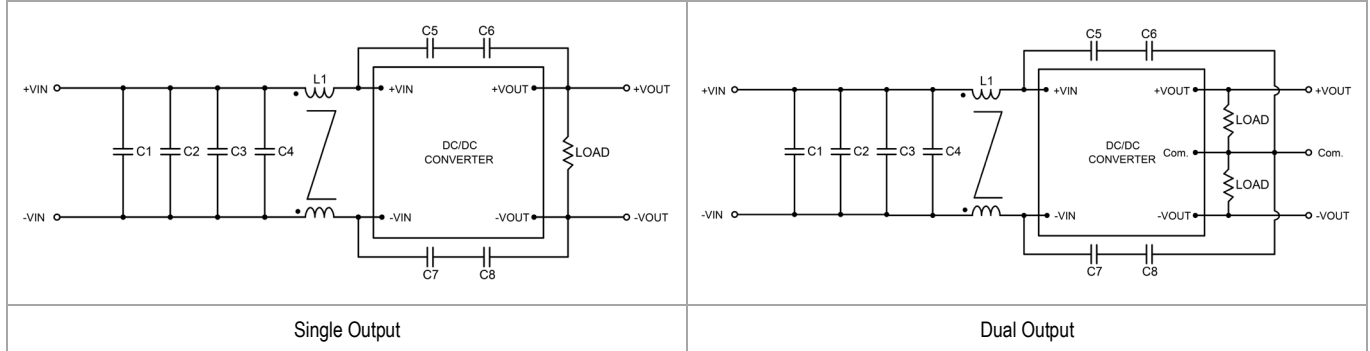
## External Filter meets EFT & Surge



Model	EFT & Surge
	C1
MIE06-12XXXHI	560 $\mu$ F/50V CHEMI-CON KY Series
MIE06-24XXXHI	470 $\mu$ F/50V CHEMI-CON KY Series
MIE06-48XXXHI	330 $\mu$ F/100V CHEMI-CON KY Series

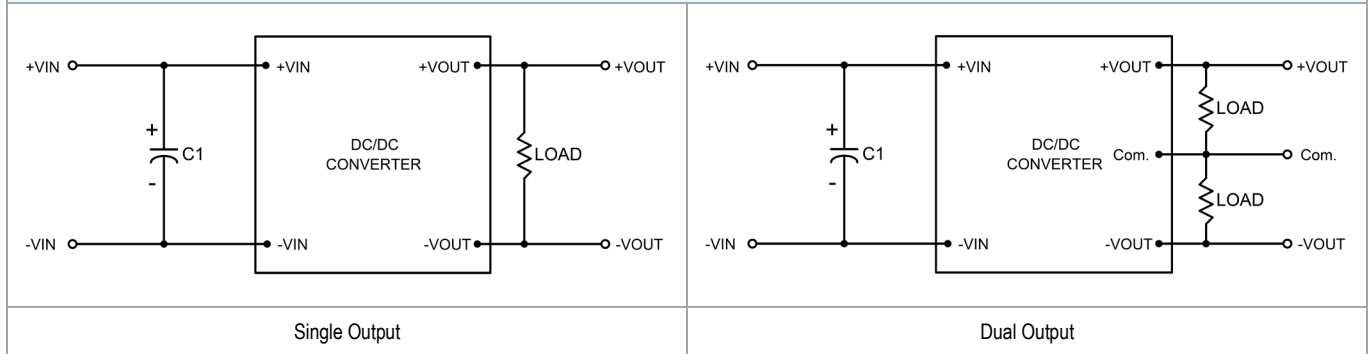
# MIE06-HI Series - EMC Notes

## External Filter meets Conducted EMI EN 55032, class B ; FCC part 15 ,level B



Model	Conducted Class B		
	C1, C2, C3, C4	L1	C5, C6, C7, C8
MIE06-HI Series	3.3 $\mu$ F/100V 1210 X7R	0.4mH/4.5A 7448014501	1000pF/ Y1 Cap.

## External Filter meets EFT & Surge



Model	EFT & Surge
	C1
MIE06-12XXXHI	560 $\mu$ F/50V CHEMI-CON KY Series
MIE06-24XXXHI	470 $\mu$ F/50V CHEMI-CON KY Series
MIE06-48XXXHI	330 $\mu$ F/100V CHEMI-CON KY Series