

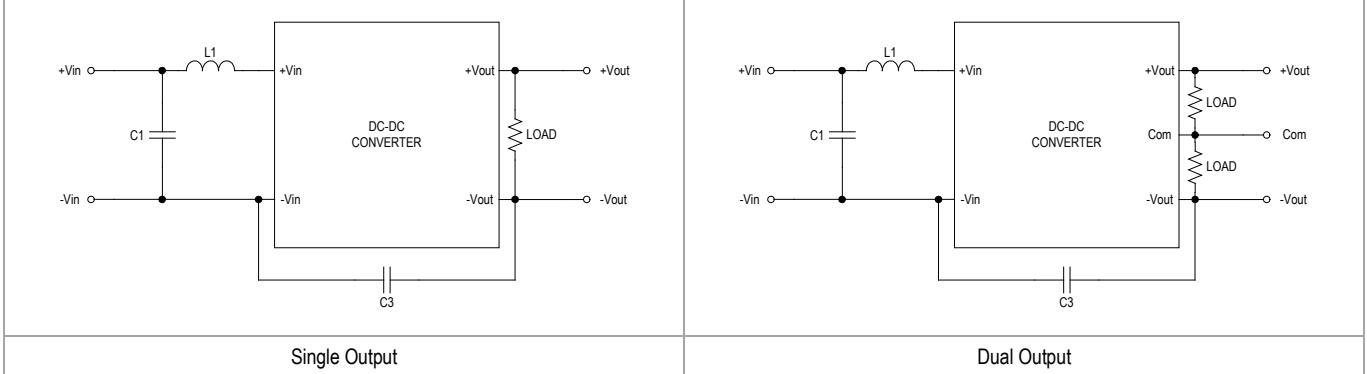


**MINMAX<sup>®</sup>**

MEW1000 Series - EMC Notes

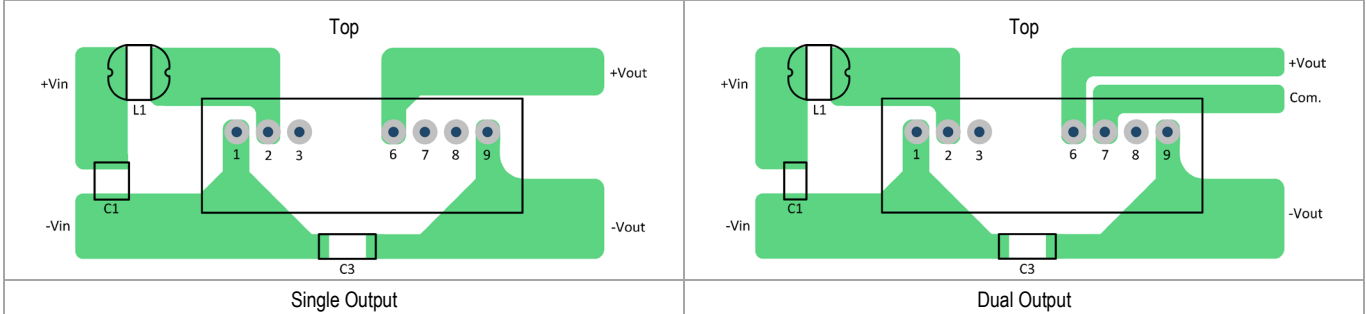
# MEW1000 Series - EMC Notes

## External Filter meets Conducted EMI EN 55022, class A



Model	C1	L1	C3
MEW102X	4.7 $\mu$ F/50V 1210 MLCC	3.3 $\mu$ H SCD0403T/2.15A	220pF/2kV 1808 X7R
MEW103X	4.7 $\mu$ F/100V 1210 MLCC	18 $\mu$ H SCD0403T/0.84A	220pF/2kV 1808 X7R

## Recommended PCB Layout with Input Filter



Approved by : \_\_\_\_\_ Checked by : \_\_\_\_\_ Designed by : \_\_\_\_\_