

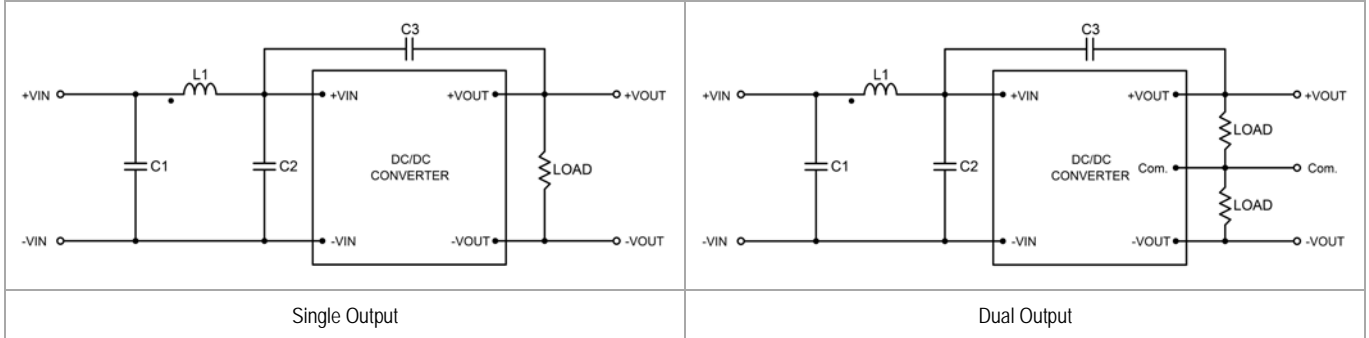


MINMAX[®]

MCWI03 Series - EMC Notes

MCWI03 Series - EMC Notes

External Filter meets EMI EN 55022 , class A; FCC part 15 ,level A



Single Output

Dual Output

Model	Class A			
	C1	C2	L1	C3
MCWI03-12XXX	4.7 μ F/50V 1210 X7R	---	2.2 μ H/2.6A SCD0403T	220pF/2kV 1808 X7R
MCWI03-24XXX	4.7 μ F/50V 1210 X7R	---	4.7 μ H/1.7A SCD0403T	220pF/2kV 1808 X7R
MCWI03-48XXX	4.7 μ F/100V 1210 X7S	4.7 μ F/100V 1210 X7S	4.7 μ H/1.7A SCD0403T	220pF/2kV 1808 X7R