

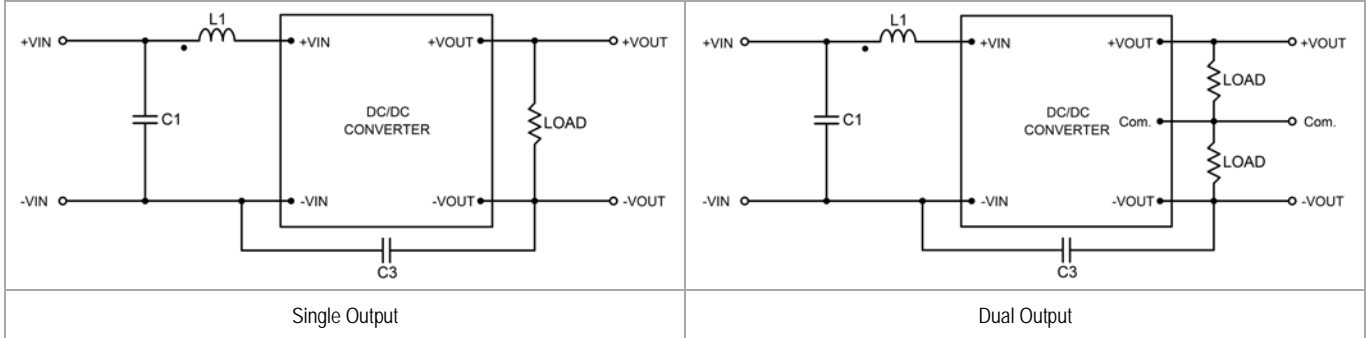


MINMAX[®]

MCW1000 Series - EMC Notes

MCW1000 Series - EMC Notes

External Filter meets EMI EN 55022 , class A; FCC part 15 ,level A



Model	Class A		
	C1	L1	C3
MCW101X	4.7 μ F/16V 1206	4.7 μ H/1.7A SCD0403T	---
MCW102X MCW103X	4.7 μ F/50V 1210	6.8 μ H/1.41A SCD0403T	330pF/2kV 1808 X7R
MCW104X	2.2 μ F/100V 1210	27 μ H/0.71A SCD0403T	330pF/2kV 1808 X7R