

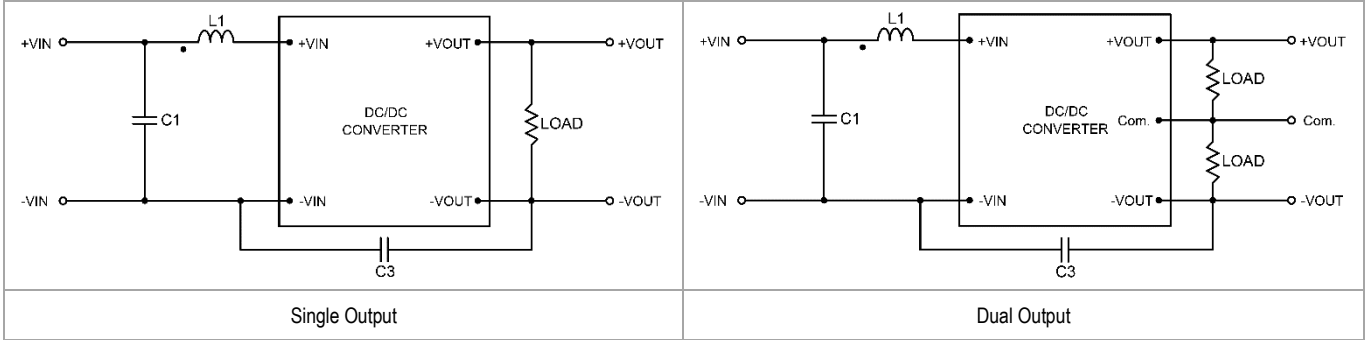


MINMAX[®]

MCW03 Series - EMC Notes

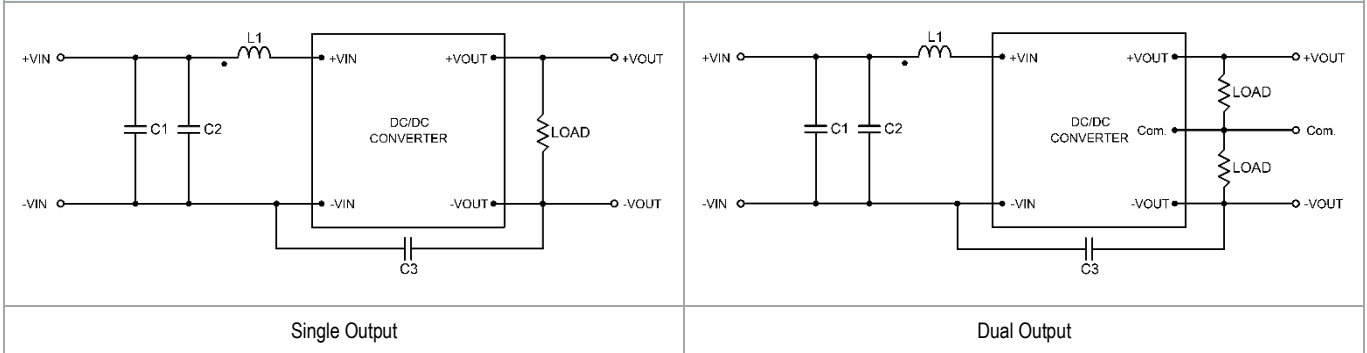
MCW03 Series - EMC Notes

External Filter meets Conducted EMI EN 55022, class A



Model	Class A		
	C1	L1	C3
MCW03-05XXX	10 μ F/25V 1206 X7R	3.3 μ H/2A SCD0403T	470pF/2kV 1808 X7R
MCW03-12XXX	4.7 μ F/25V 1206 X7R	3.3 μ H/2A SCD0403T	470pF/2kV 1808 X7R
MCW03-24XXX	4.7 μ F/50V 1812 X7R	12 μ H/0.75A SR0302T	470pF/2kV 1808 X7R
MCW03-48XXX	1 μ F/100V 1812 X7R	88 μ H/1.42A SCD0403T	470pF/2kV 1808 X7R

External Filter meets Conducted EMI EN 55022, class B



Model	Class B			
	C1	C2	L1	C3
MCW03-05XXX	10 μ F/25V 1210 X7R	10 μ F/25V 1210 X7R	3.3 μ H/2A SCD0403T	2200pF/2kV 1808 X7R
MCW03-12XXX	10 μ F/25V 1210 X7R	10 μ F/25V 1210 X7R	3.3 μ H/2A SCD0403T	2200pF/2kV 1808 X7R
MCW03-24XXX	10 μ F/50V 2220 X7R	---	27 μ H/0.71A SCD0403T	1000pF/2kV 1808 X7R
MCW03-48XXX	4.7 μ F/100V 2220 X7R	---	88 μ H/1.42A SCD0403T	1000pF/2kV 1808 X7R