

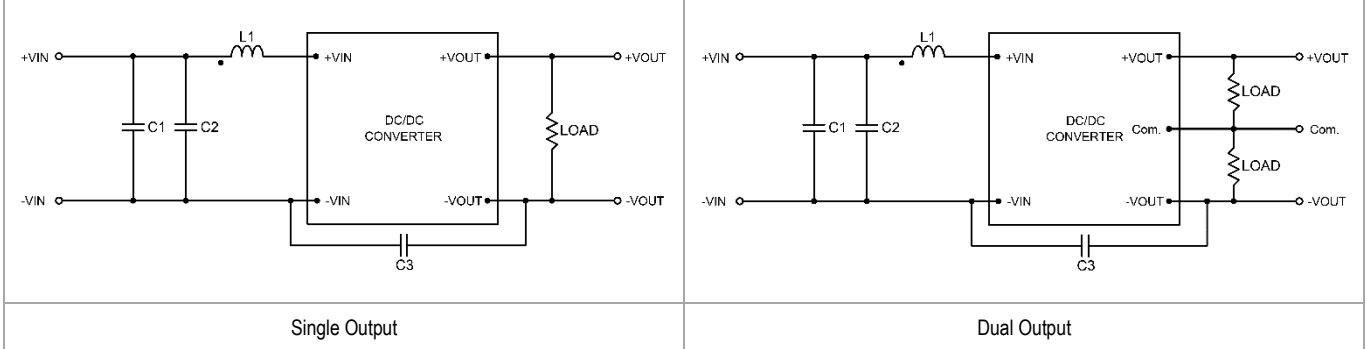


**MINMAX<sup>®</sup>**

MAW01 Series - EMC Notes

# MAW01 Series - EMC Notes

**External Filter meets Conducted EMI EN 55032 , class B; FCC part 15 ,level B**



Model	Class B		
	C1, C2	L1	C3
MAW01-XXSXX	4.7μF/100V 1210 X7S	39μH SCD0403T-390	1000pF/2kV 1206 X7R
MAW01-XXDXX	4.7μF/100V 1210 X7S	47μH SCD0403T-470	1000pF/2kV 1206 X7R