

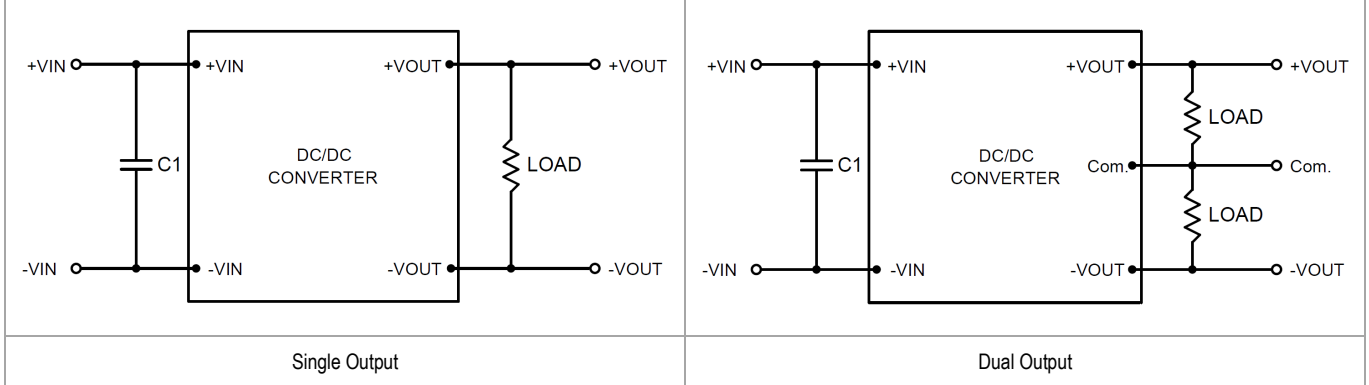


MINMAX[®]

MAU300 Series - EMC Notes

MAU300 Series - EMC Notes

External Filter meets Conducted EMI EN 55022, class A; FCC part 15, level A



Model	C1
MAU30X	3.3 μ F/25V 1206 MLCC
MAU31X, MAU32X	1 μ F/50V 1206 MLCC