

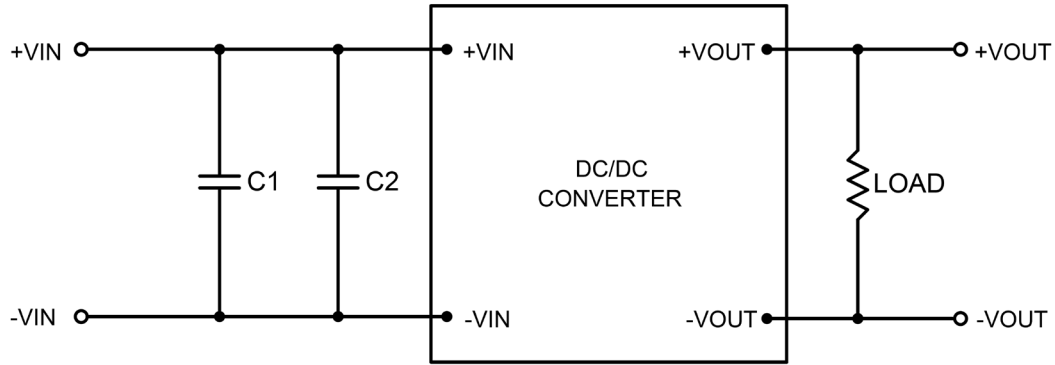


MINMAX[®]

MAU01M Series - EMC Notes

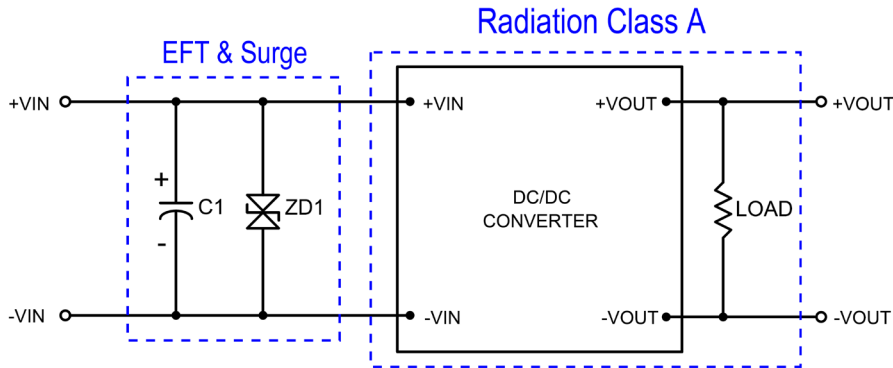
MAU01M Series - EMC Notes

External Filter meets Conducted EMI EN 55011, class A; FCC part 15 ,level A



Model	Class A	
	C1	C2
MAU01-05XXXM	47 μ F/16V 1210 X5R	---
MAU01-12XXXM	47 μ F/25V 1210 X5R	---
MAU01-24XXXM	10 μ F/50V 1210 X7R	10 μ F/50V 1210 X7R

External Filter meets EFT & Surge



Model	EFT & Surge	
	C1	ZD1
MAU01-05XXXM	330 μ F/25V CHEMI-CON KY Series	1.5KE7.5CA (TVS Diode)
MAU01-12XXXM	1800 μ F/25V CHEMI-CON KY Series	---
MAU01-24XXXM	470 μ F/50V CHEMI-CON KY Series	