

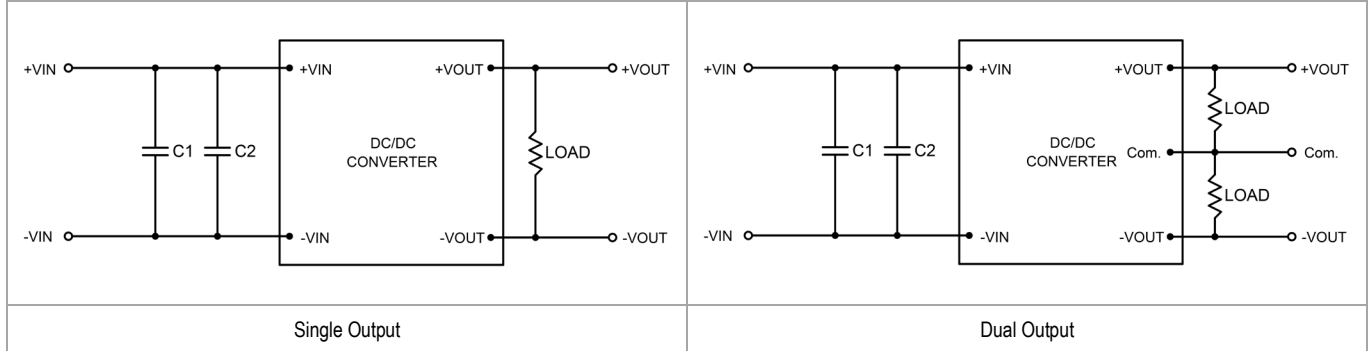


**MINMAX<sup>®</sup>**

MAPU01H Series - EMC Notes

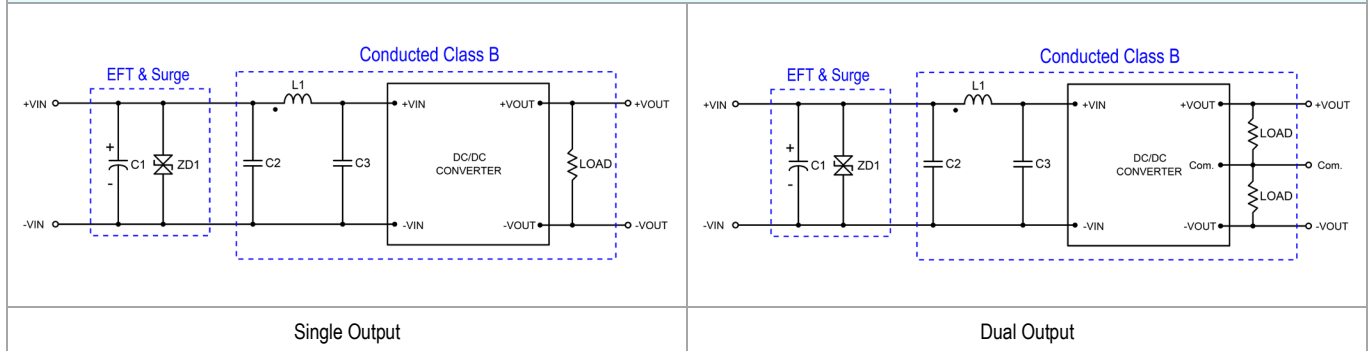
# MAPU01H Series - EMC Notes

## External Filter meets Conducted EMI EN 55032 , class A; FCC part 15 ,level A



Model	Class A	
	C1	C2
MAPU01-033XXXH	---	68 $\mu$ F/10V 1206
MAPU01-05XXXH	---	68 $\mu$ F/10V 1206
MAPU01-12XXXH	22 $\mu$ F/35V 1206	22 $\mu$ F/35V 1206
MAPU01-24XXXH	22 $\mu$ F/35V 1206	22 $\mu$ F/35V 1206

## External Filter meets Conducted EMI EN 55032 , class B; FCC part 15 ,level B



Model	EFT & Surge		Class B		
	C1	ZD1	C2	L1	C2
MAPU01-033XXXHA	100 $\mu$ F/25V CHEMI-CON KY Series	1.5KE7.5CA (TVS Diode)	10 $\mu$ F/16V 1206	LQH32CN 6.8 $\mu$ H	10 $\mu$ F/16V 1206
MAPU01-05XXXHA	100 $\mu$ F/25V CHEMI-CON KY Series	1.5KE7.5CA (TVS Diode)	10 $\mu$ F/16V 1206	LQH32CN 6.8 $\mu$ H	10 $\mu$ F/16V 1206
MAPU01-12XXXHA	560 $\mu$ F/50V CHEMI-CON KY Series	1.5KE18CA (TVS Diode)	22 $\mu$ F/35V 1206	LQH32CN 6.8 $\mu$ H	22 $\mu$ F/35V 1206
MAPU01-24XXXHA	820 $\mu$ F/50V CHEMI-CON KY Series	---	22 $\mu$ F/35V 1206	LQH32CN 6.8 $\mu$ H	22 $\mu$ F/35V 1206